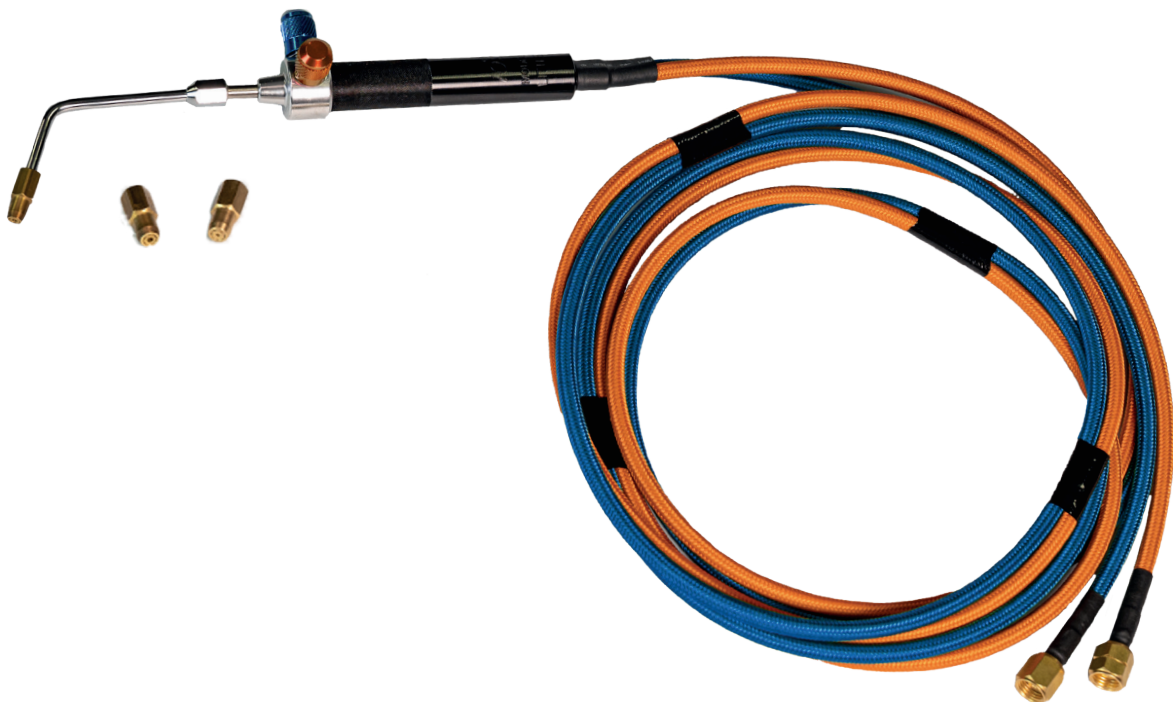

Product Number: 1811161-1

PRECISION TORCH AN OXYSET PRODUCT

OPERATOR'S MANUAL



Ambro Controls

USA Office: 7595 Irvine Center Drive, Suite 100 Irvine California 92618 USA

Telephone: 858 779 0377 **Email:** ambro@bromic.com **Web:** ambrocontrols.com

A member of the Bromic Group

This page intentionally left blank.

CONTENTS

General Warnings	4
Safety Information	5-7
Hazard Prevention & Personal Protective Equipment	5
Ventilation & Fire Prevention	6
Supervision & Safety Guidelines	7
Exploded View & List of Components	8
Spare Parts	8
Typical Applications	8
Technical Data	9
Product Dimensions	9
Technical Data	9
Operating Instructions	10-13
Switching On	11
Lighting the Torch	12
Switching Off	13
Maintenance	14
Troubleshooting	15
Warranty Claims & Servicing	16



USA Office: 7595 Irvine Center Drive, Suite 100 Irvine California 92618 USA
Telephone: 858 779 0377 Email: ambro@bromic.com Web: ambrocontrols.com

Note: Ambro Controls Pty Ltd reserves the right to make changes to specifications, parts, components and equipment without prior notification. This Installation, operation and service manual may not be reproduced in any form without prior written consent from Ambro Controls Pty Ltd.




ATTENTION - THIS PRODUCT IS FOR INDUSTRIAL USE

The following instructions must be read carefully and adhere to before using the Precision Torch 1811161-1 (which will henceforth be referred to as 'torch') and keep the manual for future reference. These instructions are not intended to be a complete training material for welding. AMBRO CONTROLS is not responsible for any damages occurring due to incorrect use or modification of the appliance. Do not use the Precision Torch unless you are trained or under appropriate supervision.

GENERAL WARNINGS

WARNINGS

- Do not use in confined spaces
- Never grease or oil any part of this torch (Precision Torch)
- Never leave the torch unattended
- Do not set down the torch while lit
- Do not inhale fumes produced by brazing or soldering
- Keep out of reach from children
- Never use the torch if hose(s) show signs of abrasions, deterioration or other imperfections. Replace the hoses immediately from Authorized distributor.
- Never use damaged or malfunctioning equipment. Consult qualified personnel if you have concerns
- Do not tamper with or modify any components of the torch
- Do not use damaged equipment
- Never allow the cylinders to be close to sparks, flames or other heat sources
- Do not use on containers, which may cause explosions, fires, or the release of toxic vapors or fumes
- Do not operate while intoxicated, drowsy or distracted
- Never smoke or use any form of e-cigarettes during use or handling of the torch
- Never heat the cylinders or hoses, or put them close to any form of heat sources
- Never use components that are not included with the torch or replace any components with those from unauthorized suppliers
- Always use the torch in a well-ventilated area, away from flammable materials or substances
- Always work on a non-flammable base
- Always wear goggles, welding gloves and other appropriate protective equipment during operation
- Always wear clothes suitable to the type of work to be accomplished. Never wear clothes dirty with grease
- Always allow the torch to cool completely (to room temperature) prior to storage
- Always keep the cylinders in an upright position
- Always ensure the torch flame is fully extinguished when turning the equipment off
- Always rest the cylinders on a steady surface
- Always check for loose connections prior to using the equipment
- Always shut off the oxygen cylinder first and then the fuel cylinder (refer to section Switching Off from this manual) in case of fire and use appropriate & available Fire Extinguishers.
- Always shut off the oxygen cylinder first and then the fuel cylinder (refer to section Switching off from this manual) in case of leakage, move to well ventilated area and check where the appliance is leaking and implement appropriate corrective action
- Always ensure all the knobs of the torch are closed before connecting during setup
- Always work in a clean place, far from combustible or greased materials

PROP. 65 WARNING FOR CALIFORNIA RESIDENTS	 Cancer and Reproductive Harm - www.P65Warnings.ca.gov
AVERTISSEMENT PROP. 65 POUR LES RESIDENTS DE LA CALIFORNIE	 Cancer et Troubles de l'appareil reproducteur - www.P65Warnings.ca.gov
ADVERTENCIA PROP. 65 PARA LOS RESIDENTES DE CALIFORNIA	 Cancer y Daño Reproductivo - www.P65Warnings.ca.gov

SAFETY INFORMATION

Hazard Prevention

- Always guard against flammable substances, burns, fluxes, filler metals, gases, and fumes.
- Never use oxygen or fuel gas to blow off work, equipment, or clothing. Pure oxygen encourages combustion, and gas is flammable.
- Keep out of reach from children and disabled people.
- Be aware of your welding hoses. Do not let welding hoses touch torch flame, sparks or hot surface. Welding hoses are a tripping hazard.
- Never perform welding, cutting, or heating operations on a container that has held toxic or combustible liquids or vapors.
- Never perform welding, cutting, or heating operations in an area containing combustible vapors, flammable liquids, or explosive dust.
- Never perform welding, cutting, or heating operations on a closed container or vessel, which may explode when heated.
- All Government and insurance regulations relating to the storage of oxygen and LPG cylinders must be closely observed.
- Always comply with Federal, State, and Local laws, and keep updated with industry regulations, practices, and standards.
- Exercise caution when using the torch near pipes and vents as suction from pipes and vents may be present.
- Always know what is or was inside your work piece
- Always disconnect equipment from fuel source and close valves after each use.
- Operators must remove all food (including coffee, soft drinks, and other beverages) from the work area in which brazing filler metals, solder alloys, and fluxes are being handled.
- Casual contact between the hands, face, nose, or mouth shall be avoided when handling filler metals, solder, fluxes, or base materials.
- The material safety data sheets for brazing fluxes and filler metals shall be consulted before these substances are used.
- Operators must dispose of all cleaning solutions in accordance with environmental regulations and corporate procedures.

Personal Protective Equipment

- Personnel includes workers and their immediate supervisors. Refer to appropriate local standards/regulations on protective clothing and equipment.
- Welding equipment, machines, cable, and other apparatus must be located so that it does not present a hazard to personnel.
- Signs must be posted designating welding areas and indicating that eye protection and other applicable protective devices shall be worn.
- Eye and face protection must comply with ANSI Z87.1, Occupational and Educational Personal Eye and Face Protection Devices. Persons with special eye conditions should consult their physician for specific information on protective equipment.
- Appropriate protective clothing for any welding and cutting operation will vary with the size, nature, and location of the work to be performed. Clothing must be kept clean, as oil and grease can reduce its protective qualities.
- Suitable eye, face, and body protection must be worn by operators when cleaning assemblies with any solvent, including tap water.
- Gloves must be worn to prevent injury from acidic or caustic residues generated in the cleaning agent as well as the possible ingestion of metals rubbed off joints and base material.
- Gloves made of leather, rubber, or other suitable materials are recommended. Insulating linings should be used to protect areas exposed to high radiant energy.

Ventilation

- Adequate ventilation must be provided for all welding, cutting, brazing, and related operations.
- Adequate ventilation must be enough such that any hazardous concentrations of airborne contaminants exposed to personnel are maintained below the allowable limits specified by the authority having jurisdiction. Respiratory protective equipment must be used when adequate ventilation is not practical.
- Always obtain Material Safety Data Sheets (MSDS) for the materials affected when welding or cutting.
- Some fluxes and metals that are coated with substances like Cadmium or Nickel can be very toxic.
- Ventilation in confined spaces must be sufficient to assure adequate oxygen for life support, to prevent accumulation of asphyxiants or flammable or explosive mixtures, to prevent oxygen-enriched atmospheres, and to keep airborne contaminants in breathing atmospheres below allowable limits.
- Operators must take precautions to avoid breathing the fume directly
- If natural ventilation is not sufficient to maintain contaminants below the allowable limits referenced by local regulations, mechanical ventilation or respirator must be used.
- Avoid operating the equipment in rooms with sprinkler systems unless there is sufficient ventilation to keep the area cool. Insufficient ventilation can cause the false activation of fire suppression systems.

Fire Prevention

- No welding or cutting can be done unless the atmosphere is non-flammable and unless combustibles are moved away or protected from fire hazards.
- Where it is not practical to move the work, all movable nearby fire hazards must be relocated to a safe location.
- Where the work and fire hazards are not movable, safeguards must be used to protect the immovable fire hazards and nearby personnel from the heat, sparks, and slag.
- Appropriate fire extinguishing equipment must be ready for use where welding and cutting work is being done.
- Inspect it regularly to ensure that it is in proper working order. Know how to use the fire extinguisher.
- When work is complete, inspect the area for possible fires or smoldering materials.
- Always check your work area for hidden hot spots that may cause fire. Cool down any questionable areas and do not leave the area until you are certain that there is no danger of fire.
- Persons assigned to watch for fires (called Fire Watchers) resulting from welding must be posted whenever there are combustible materials within 35 feet (10.7 meters) of the welding operation.
- Always ensure that the torch flame is completely extinguished after turning off equipment. In the occurrence of flashback or backfire, follow below procedures in order:
 1. Close torch's oxygen flow valve (turning the knob CLOCKWISE)
 2. Close torch's fuel gas flow valve (turning the knob CLOCKWISE)
 3. Close cylinder's oxygen regulator valve (turning the knob ANTI CLOCKWISE)
 4. Close cylinder's fuel gas regulator valve (turning the knob ANTI CLOCKWISE)
 5. Do not operate any oxy-fuel equipment until the exact cause of the flashback or backfire is fully investigated.
 6. Take corrective measures to eliminate the cause of flashback or backfire.
- Inspection and authorization by a designated management representative is required before welding or cutting operations commences in a location not designed for such purposes.

Supervision

This section refers to the commercial use of the product. Management refers to people responsible for welding operations, while supervisors refer to people responsible for supervision of welding.

Responsibilities

Operators and management are both responsible for safety in welding and cutting.

Training

Welders and their supervisors must be trained in the safe operation of their equipment and emergency procedures. Management is responsible for this.

Workers must understand the potential hazards and safety precautions before starting work. Management is responsible for this.

Contractors

Contractors who are selected for welding purposes should be trained and qualified, who know the risks involved. Management is responsible for this.

Contractors must be advised of any hazardous conditions (eg. flammable materials, lack of ventilation) of which they may not be aware. Management is responsible for this.

Supervisors must ensure that flammable or combustible materials are not exposed to ignition by taking one or more of the following actions:

1. Relocate the work to a location without combustibles and away from hazardous areas.
2. Relocate the combustibles moved a safe distance from the work or properly shield them against ignition if the work cannot readily be moved.
3. Schedule welding and cutting so that such materials are not exposed during welding and cutting operations.

Operators

Operators must understand the hazard of the operation to be performed and the procedures being used to control hazardous conditions.

Operators must handle the equipment safely as per this manual and use it so as not to endanger lives and property.

Operators must be trained so they understand the hazards involved in welding.

Operators must never use this equipment if they are unsure of safe operation.

Operators must never work alone under hazardous conditions, such as potential for electric shock hazards or where ventilation is poor.

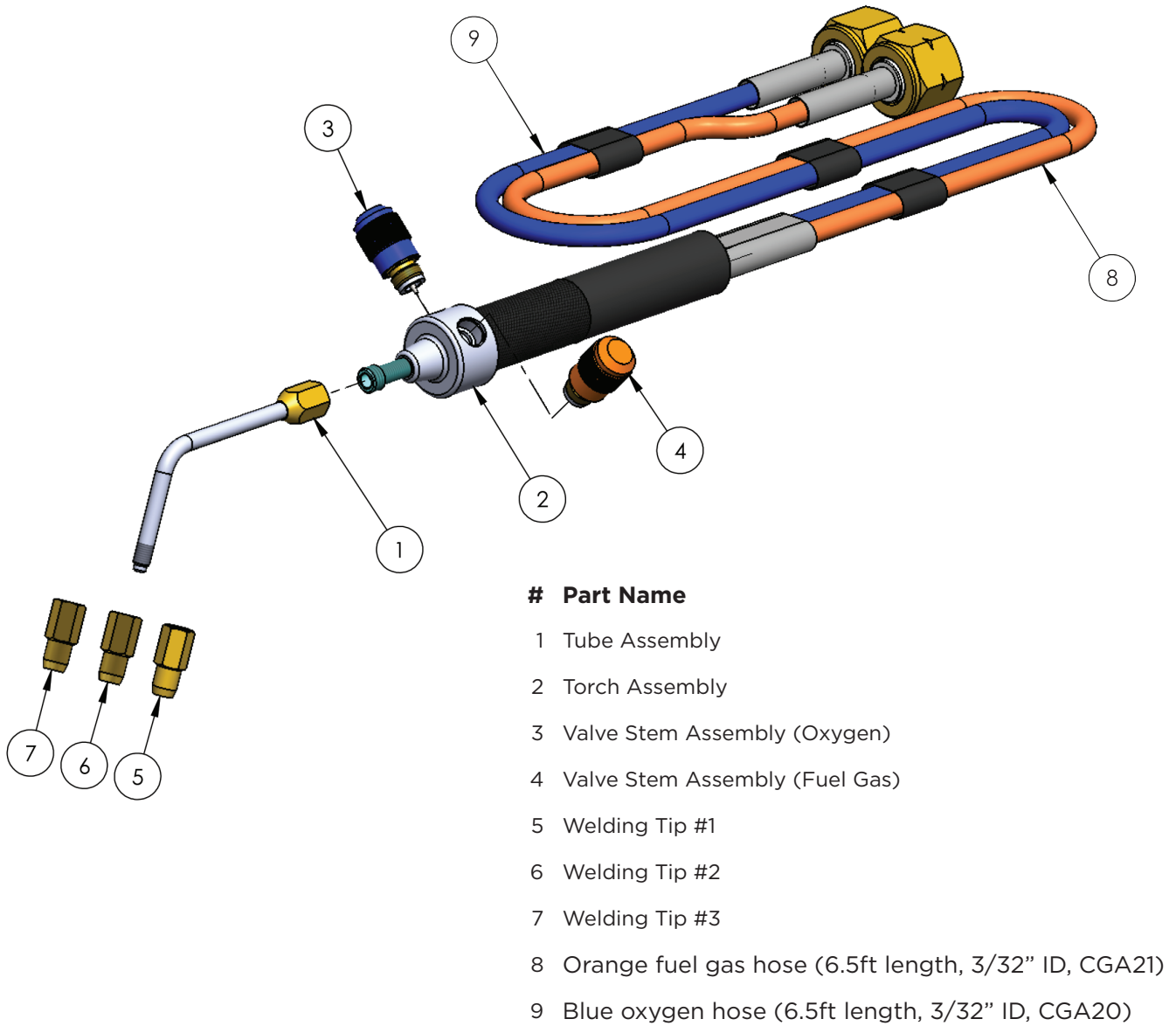
Safety Guidelines

This safety guideline contains vital information for safe use and must be read and understood before operation of the Precision Torch. Failure to do so may cause catastrophic damage or injury. These guidelines do not cover all possible hazards. Use of common sense is recommended.

Detailed safety guidelines, operating instructions, and standards for oxy-fuel welding and cutting equipment can be found from the following sources:

1. ANSI, American National Standards Institute publication Z49.1
2. API, American Petroleum Institute; ASTM, American Society for Testing and Materials
3. AWS, American Welding Society
4. CGA, Compressed Gas Association
5. CSA, Canadian Standards Association
6. DOT, U.S. Department of Transportation
7. NFPA, National Fire Prevention Association
8. OSHA, Occupational Safety and Health Administration

EXPLODED VIEW + LIST OF COMPONENTS



Spare Parts

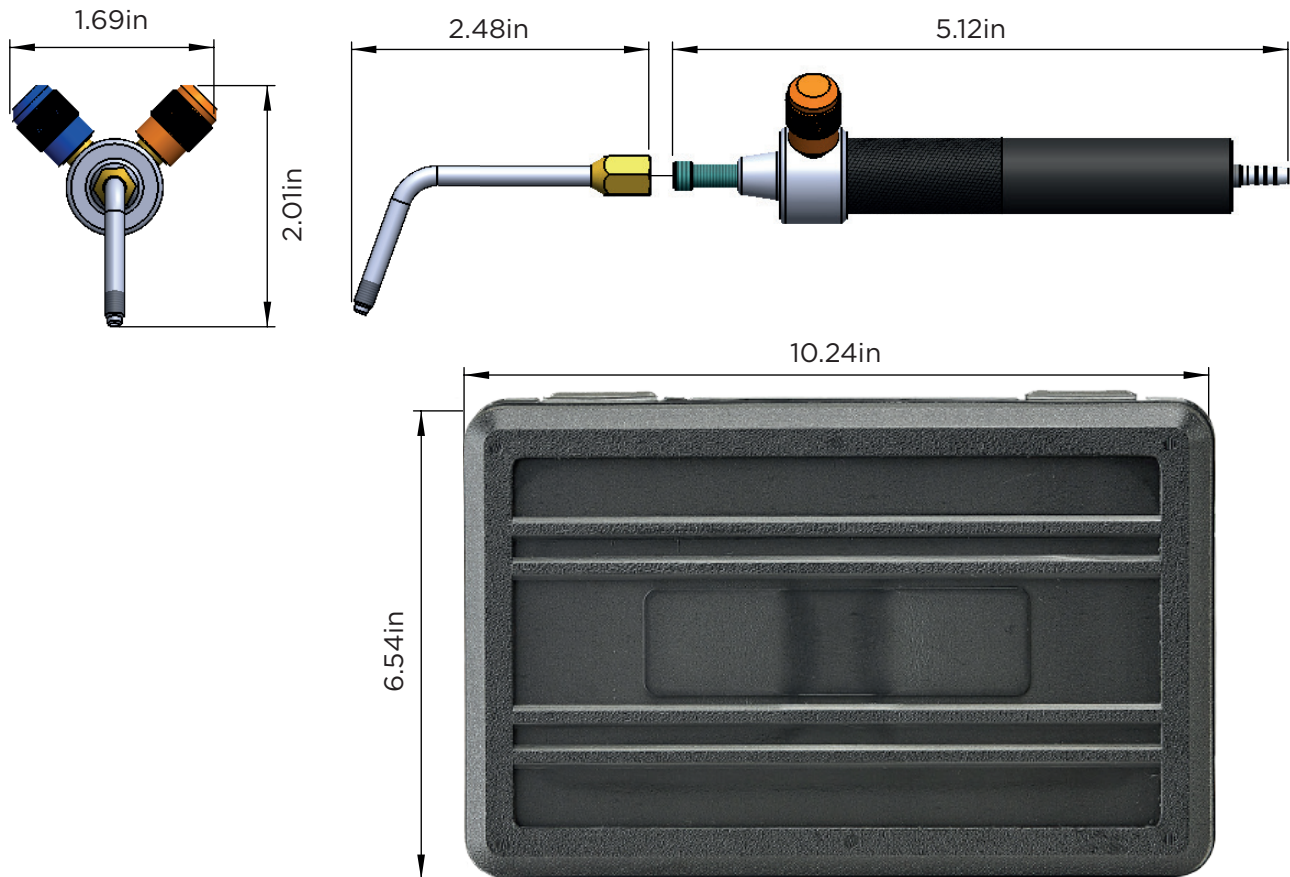
Parts 1, 5, 6 and 7 available as Spare Part Kit.

Typical Applications

Copper Soldering and Brazing.
 Aluminum Soldering and Brazing.
 Copper-Aluminum Soldering and Brazing.
 HVAC, and Plumbing.

TECHNICAL DATA

Product Dimensions



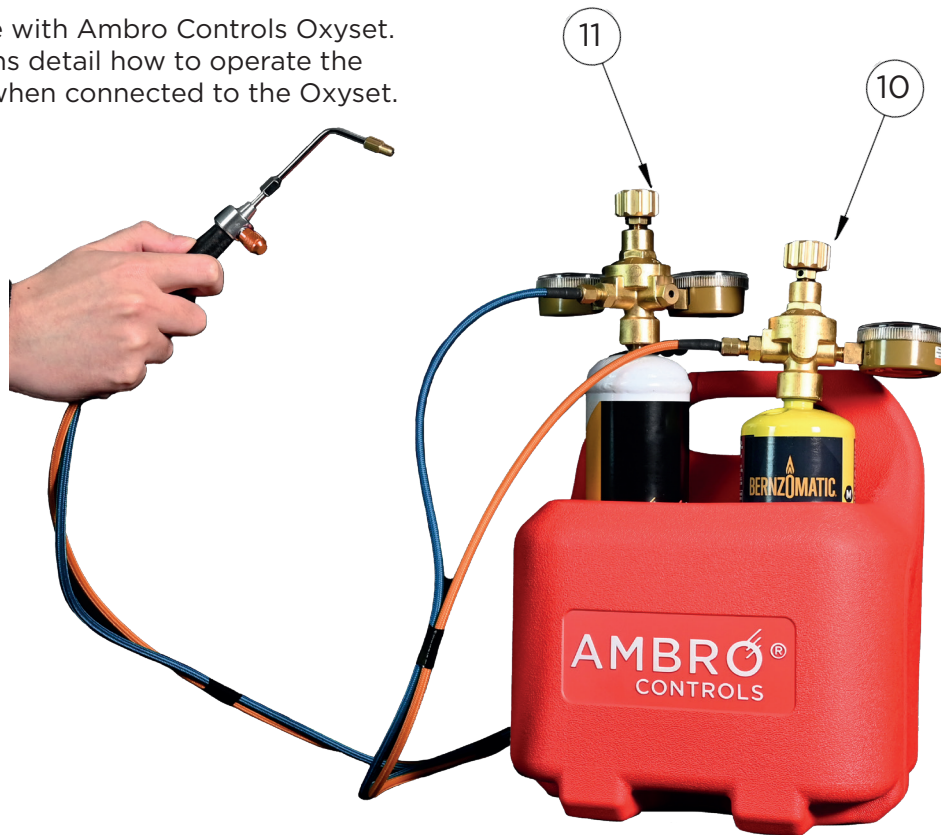
Technical Data

The Precision Torch 1811161-1 is fueled by an oxygen cylinder (UN ISO 11118-1 cylinders manufactured in accordance with 49 CFR 178.35, 178.69, 178.70, 178.71.) and a MAP//Pro cylinder (complying with DOT39). We recommend using Ambro oxygen cylinders and MAP//Pro cylinders.

Tip	Welding Range (inch)	Oxygen Pressure	Fuel Gas Pressure
Tip #1	0.0591 - 0.0787	29 PSI	4.5 - 7.2 PSI
Tip #2	0.0787 - 0.0984	29 PSI	4.5 - 7.2 PSI
Tip #3	0.0984 - 0.118	29 PSI	4.5 - 7.2 PSI

OPERATING INSTRUCTIONS

Designed for use with Ambro Controls Oxysset. These instructions detail how to operate the precision torch when connected to the Oxysset.



1. Ensure that the adjustment knobs on the pressure regulators (10&11) are closed by turning the regulator knobs **ANTI CLOCKWISE**.
2. Ensure that the adjustment knobs on the torch (3&4) are closed by turning the torch knobs **CLOCKWISE**.
3. Screw the oxygen and fuel gas pressure regulators on to their relevant cylinders, ensuring that there are no leaks. Pressure regulator threads are diversified to avoid mistakes in coupling cylinders to their relevant pressure regulator.
4. Connect the hoses between corresponding regulators.
NOTE: Only tighten hose connections to 5-6Nm. Overtightening will damage the connection.
5. Tighten all fittings and conduct leak test.

WARNINGS:

- The Precision Torch 1811161-1 is for use with disposable oxygen and MAP//Pro cylinders only. These cylinders are not refillable. Use of other cylinders may be dangerous. Do not connect cylinders before reading all relevant instructions.
- Connection or disconnection of cylinders must be performed in a well-ventilated area, preferably outdoors, and away from persons and/or animals. Keep away from inflammable materials or substances and glowing sources of heat, such as naked flames, lit cigarettes, electrical devices etc.
- The weight of cylinders can be deceiving so it is important to confirm that a cylinder is empty before replacing it. To protect the environment, dispose of the cylinders in a safe place according to local regulations and preferably in a recycling centre.

WARNINGS:

- a) We recommend to preset regulators' output pressure to minimum 4.5 psi for fuel gas pressure regulator; and 29 psi for oxygen pressure regulator.
- b) The maximum working pressure should NEVER exceed 7.2 psi for fuel gas pressure regulator; and 43 psi for oxygen pressure regulator.

*Actual pressure regulation depend on application and user experience, consult qualified personnel if uncertain prior to operation.

Switching On

1. To begin, ensure the torch valves (3&4) are closed by turning the torch knobs **CLOCKWISE**.
2. Next, slowly open the pressure regulator knobs (10&11) by turning **CLOCKWISE** to engage the cylinders.

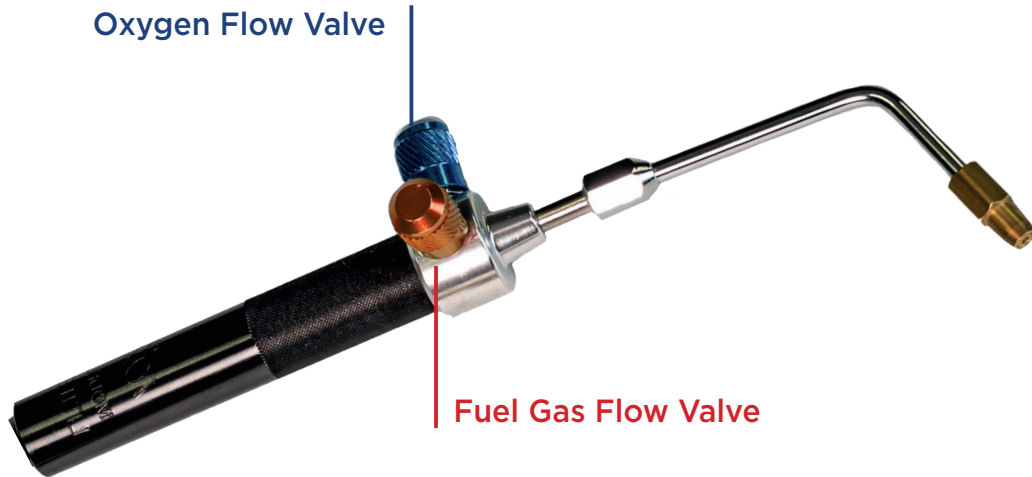
**Fuel Gas Pressure
Regulator**



**Oxygen Pressure
Regulator**



3. Slowly open the fuel gas regulation knob of the torch (4) by turning the knob **ANTI CLOCKWISE**, about a quarter turn, allowing gas to flow freely for a couple of seconds to clear any air from the system.

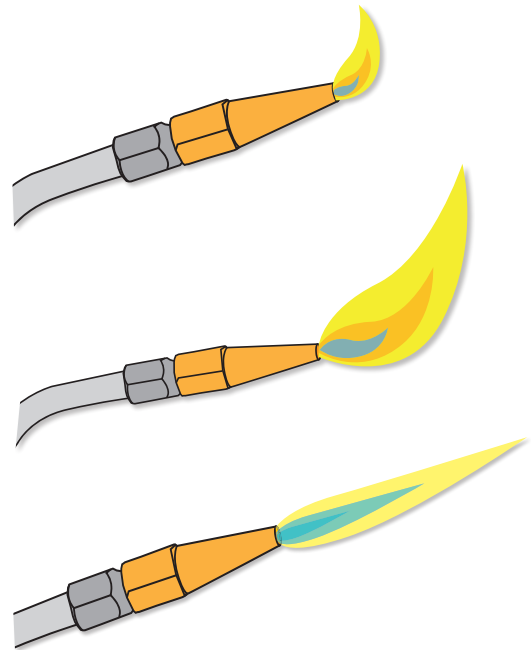


Lighting the torch

Ignite using a spark lighter, paying attention to keep the flame stuck to the soldering nozzle until you achieve a flame as shown. If the flame comes away from the nozzle and blows out, close the fuel gas knob slightly to slow supply.

Adjust the flame with the control tap until the smoke just disappears.

Turn on the oxygen regulation knob (3) **ANTI CLOCKWISE** and increase until the white inner cone (dart) is clearly defined.



WARNINGS: FLASHBACK AND BACKFIRE

Flashback occurs when the flame travels back into the torch. This can cause explosion, resulting in serious injury or property damage. Flashback can be caused by using incorrect regulator pressures, incorrect balance of fuel/oxygen flow or if the fuel is prematurely ignited.

Backfire occurs during the backward flow of gases at the torch tip, causing the flame to go out. This is often caused by touching the torch tip against the work piece.

If flashback or backfire occurs, IMMEDIATELY:

- 1. Close the torch's oxygen flow valve (turn the knob CLOCKWISE)**
- 2. Close the torch's fuel gas flow valve (turn the knob CLOCKWISE)**
- 3. Close the oxygen regulator valve (turn the knob ANTI CLOCKWISE)**
- 4. Close the fuel gas regulator valve (turn the knob ANTI CLOCKWISE)**

DO NOT operate the Precision Torch until the cause of flashback or backfire is fully resolved.

Switching Off

Complete the following steps in order.

1. Close the torch's oxygen flow valve by turning the knob **CLOCKWISE**
2. Close the torch's fuel gas flow valve by turning the knob **CLOCKWISE**
3. Close the oxygen regulator valve by turning the knob **ANTI CLOCKWISE**
4. Close the fuel gas regulator valve by turning the knob **ANTI CLOCKWISE**
5. Purge the system of all remaining gas.

CAUTION: PURGING

Purging a system is the act of flushing out all residue fuel gas and oxygen from the torch, hose, and regulators after operation.

NEVER purge the system near any ignition sources.

WARNINGS:

- Do not use in confined spaces
- The Precision Torch 1811161-1 must be used in a well-ventilated area, away from inflammable materials or substances
- It is absolutely prohibited to grease or oil any part of this torch
- Do not leave the Precision Torch 1811161-1 unattended when lit
- Do not set down the torch while lit
- Work on a non-flammable base
- During welding, wear goggles and welding gloves.
- Wear clothes suitable to the type of work to be accomplished and do not wear clothes dirty with grease
- Do not inhale fumes produced by brazing or soldering
- Immediately replace hoses (8&9) in case of abrasions, deterioration or other imperfections
- Avoid torsions and overheating of the hoses (8&9).
- During use, parts of the Precision Torch 1811161-1 can reach high temperatures and must be allowed to cool completely prior to storage
- It is dangerous to use damaged or malfunctioning equipment
- Do not tamper with or modify any components of the torch
- If a flashback occurs when lighting, it may be due to incorrect pressures set at regulators or a light being applied before the fuel gas is flowing properly or incorrect balance of fuel/oxygen flow.
- Assembly & adjustment made in the factory shall not be modified. It can be dangerous to try to modify the adjustment or the construction of the appliance, to dismantle some parts or use components other than those recommended.
- Close the taps of the appliance before connection
- Do not smoke when changing containers (cylinders)
- Do not use grease or oil with parts in contact with oxygen
- Be careful not to heat the containers (cylinders) or burn the hose
- Work in a clean place, far from combustible or greased material

MAINTENANCE

Maintenance should only be carried out by trained professionals. In case of failure in a manner that cannot be repaired, return your Precision Torch to the point of purchase.

Checking the seal

If your appliance leaks gas or begins to smell of gas, take it outdoors immediately. Check seals (see 5.2) in a well-ventilated area away from ignition sources.

To check the seal of the Precision Torch, use soapy water or a leak detector product, such as LA-CO Visu Glow. After applying the detector to a suspected leak area, inspect for the formation of bubbles or foam caused by escaping gases.

Nozzle cleaning

Unscrew the nozzle and clean by blowing air into the hole. Firmly screw the nozzle back into the torch and once tightened, check the seal.

Storage

If the Precision Torch is not in use, disconnect all components from each other and allow all the system to drain. This will avoid cylinder discharge as a result of imperceptible leaks.

Place the Precision Torch in its original packaging or another protective case and store in a cool, dry and well-ventilated place.

- Do not store or transport the Precision Torch with cylinders connected.
- Ensure the unit remains in a vertical position
- Protect from sunlight
- Do not expose to temperatures greater than 122°F (50°C)
- Keep out of reach of children

WARNINGS:

- **Only conduct cleaning when the nozzle is cold**
- **Do not use needles or pins to clean the nozzle, as potential damage could make the Precision Torch dangerous to use**
- **If the blockage cannot be removed, DO NOT use the nozzle**
- **Never use oxygen or fuel gas to blow off work, equipment, or clothing**

NOTE : Some of the details in the illustrations may differ from those of the appliance supplied. Ambro Controls Pty Ltd reserves the right to modify the product without prior warning.

TROUBLESHOOTING

Problem	Possible Cause	Solution
Smell of gas/hissing sound	1. Loose connection	1. Retighten connections & then test for leaks at connections using soapy water or other leak detector product
Cannot ignite torch	1. Empty cylinder 2. Torch valve closed 3. Output pressure set too low 4. Blockage in gas lines 5. Faulty component	1. Replace cylinder 2. Refer to instruction manual and follow procedure for adjusting torch valves 3. Refer to instruction manual and adjust regulator valves according to set pressures 4. Close all valves, disconnect lines and check for blockages in hose and torch 5. Confirm all above conditions and contact customer service representative
Flame too small or not steady	1. Empty cylinder 2. Dirty tip 3. Flow rate too low 4. Pressure setting too low	1. Replace cylinder 2. Clean or replace tip 3. Turn up the flow valves on torch according to the instruction manual procedure 4. Check gauge measurements and adjust according to the instruction manual procedure
Flame too large	1. Flow rate too high 2. Pressure output too high	1. Turn down flow valves on torch, according to the instruction manual procedure 2. Reduce output pressure on regulator by adjusting the knob according to instruction manual procedure
Flame feather cannot be adjusted	1. Incorrect pressure	1. Refer to instruction manual and check pressure are within recommended settings
Popping Noise (backfire)	1. Torch tip too close to welding surface 2. Insufficient fuel gas flow rate 3. Excessive oxygen flow rate 4. Sudden oxygen flow	1. Move the torch tip further away from work area 2. Incorrect balance of flow rate of fuel gas/oxygen. Refer to instruction manual for setup and adjustment of flame 3. Incorrect balance of flow rate of fuel gas/oxygen. Refer to instruction manual for setup and adjustment of flame 4. After torch is lit, gradually turn up oxygen valve, do not open valve suddenly. Check oxygen regulator pressure and adjust according to instruction manual procedure
The filler rods do not stick or fail to flow into the metal joint	1. Poor application of heat 2. Poor preparation of workpiece 3. No flux or wrong flux used 4. Wrong filler rod for workpiece	1. Ensure correct sized tip is used with suitable flame strength for the size workpiece. Refer to the instruction manual for more information 2. Ensure thorough clean of workpiece by removal of grease, removal of any oxidation of surfaces or other contaminants 3. Ensure correct flux type for the material of workpiece. Follow manufacturer recommendations on application of flux 4. Ensure filler rod material is compatible with flux and workpiece

WARRANTY

1 WARRANTY PERIOD

Ambro Controls warrants that all products manufactured and/or supplied by Ambro under “Ambro” brand will be free from any defects caused by faulty materials and/or workmanship (“Warranty”) for the periods as stated below from the date of purchase/invoice of the following products:

Precision Torch | 1 Year

Ambro would like to stress the importance of reading all provided documentation and instructions prior to the use of any Ambro products. Failure to follow instructions, may result in the loss of or damage to valuable stock through incorrect operation.

2 WARRANTY CONDITIONS

- 2.1 Subject to the following conditions, if a defect or fault in parts or workmanship is found during the Warranty Period, Ambro Controls will replace or repair the above listed items or part of it (at its option) without charge to the Purchaser.
- 2.2 Ambro Controls may undertake any repairs or nominate an authorized repairer to do so.
- 2.3 The Purchaser must retain the original purchase docket and produce it to Ambro Controls at the time of making a claim under this Warranty.
- 2.4 The Purchaser must report any potential fault and/or defect to Ambro Controls as soon as possible after discovery of the potential fault and/or defect.
- 2.5 The requirement for repair or replacement of the above listed products must have arisen solely from faulty and/or defective materials and/or workmanship and must not be due to misuse, neglect, accident, improper installation, unauthorised modification, unauthorised attempted repair, failure to comply with the Ambro Product’s instruction manual and/or markings on the Product or other abuse which, in the reasonable opinion of Ambro Controls, was caused by the Purchaser or any agent or employee of the Purchaser.
- 2.6 Ambro Controls is not liable for any transport costs incurred in connection with a warranty investigation or service of the listed products within the Warranty Period.
- 2.7 Ambro Controls reserves its right to invoice the Purchaser for any investigation or service (including parts and labour) which is found not to be connected to a warranty issue.
- 2.8 Ambro Controls is not liable for any incidental or consequential loss or damage arising from any cause whatsoever including but not limited to loss or damage arising from misuse of the listed products, neglect, accident, improper installation, unauthorised modification, unauthorised attempted repair, failure to comply with the instructions in the manual and/or markings on the Product and/or any cause independent of human control that occurs after the Product has left the control of Ambro Controls.

3 CLAIMING UNDER THE WARRANTY OR CONSUMER GUARANTEES

- 3.1 If there is any potential defect and/or fault with the Product, contact Ambro Controls by phone 858 779 0377 or email ambro@bromic.com.
- 3.2 Any product claimed for warranty replacement requires a completed product form detailing about personal contact details, product part number, serial number if any assigned to it, date of purchase, date of installation and brief explanation of the issue and what was carried out to fix the problem. Giving us as much information as possible will help us finding the root cause.
- 3.3 All warranty enquiries and/or claims should be directed to Ambro Controls Head Office, Suite 100, 7595 Irvine Centre Drive, Irvine CA, 92618 United States or by telephoning 858 779 0377 or emailing ambro@bromic.com.
- 3.4 Product under claim will undergo evaluation and will be dispositioned in writing. Barring clear product misuse, negligence, accident, substitution of non-Ambro parts, modification, improper use and or installation.

4 CONSUMER GUARANTEES

- 4.1 You are entitled to a replacement or refund for a major failure and for compensation for any other reasonably foreseeable loss or damage. You are also entitled to have the goods repaired or replaced if the goods fail to be of acceptable quality and the failure does not amount to a major failure.

Reviewed 16 May 2023

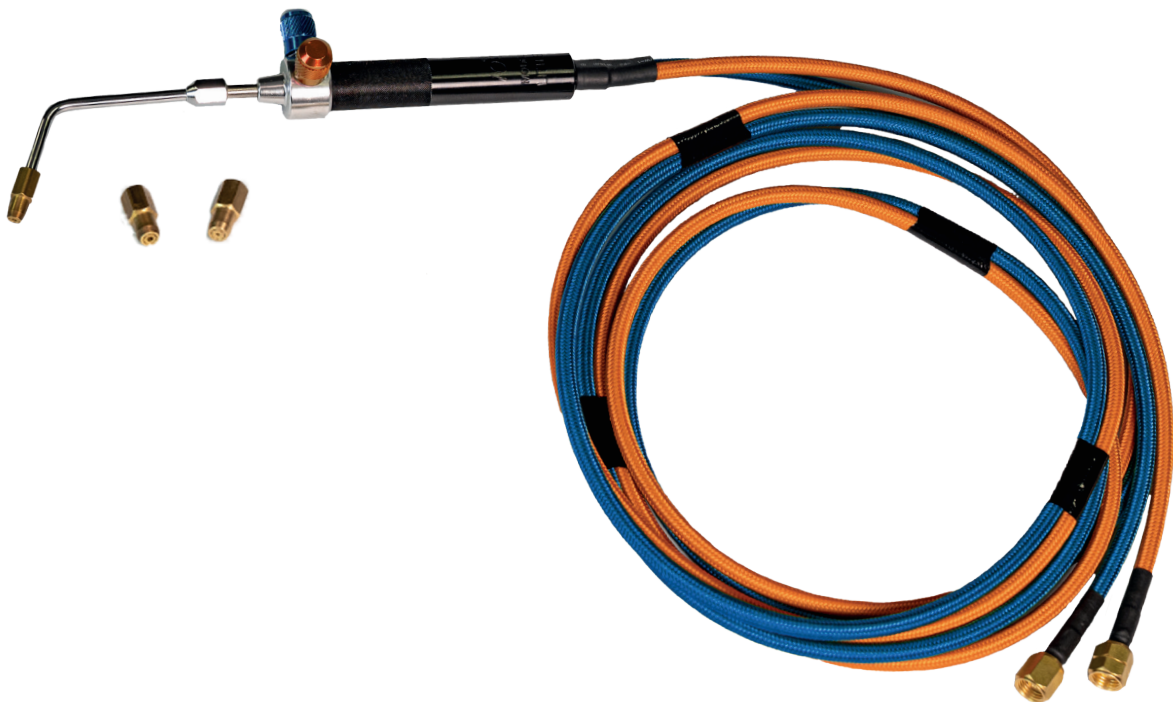
End of English Version.

Start of French Canadian Version.
Début de la version canadienne-française.

Numéro de produit : 1811161-1

TORCHE DE PRÉCISION UN PRODUIT OXYSET

MANUEL DE L'OPÉRATEUR



Ambro Controls

Bureau aux États-Unis : 7595 Irvine Center Drive, Suite 100 Irvine Californie 92618 États-Unis

Téléphone : 858 779 0377 **Courriel** : ambro@bromic.com **Site Web** : ambrocontrols.com

Un membre du groupe Bromic

Cette page a été intentionnellement laissée vierge.

CONTENU

Avertissements généraux	22
Informations en matière de sécurité	23-25
Prévention des risques et équipements de protection individuelle	23
Ventilation et prévention des incendies	24
Directives de surveillance et de sécurité	25
Vue éclatée et liste des composants	26
Pièces de rechange	26
Applications typiques	26
Données techniques	27
Dimensions du produit	27
Données techniques	27
Mode d'emploi	28-31
Mise en marche	29
Allumage de la torche	30
Éteindre la torche	31
Entretien	32
Dépannage	33
Réclamations au titre de la garantie et réparations	34



Bureau aux États-Unis : 7595 Irvine Center Drive, Suite 100 Irvine Californie 92618 États-Unis
Téléphone : 858 779 0377 Courriel : ambro@bromic.com Site Web : ambrocontrols.com

Remarque : Ambro Controls Pty Ltd se réserve le droit d'apporter des modifications aux spécifications, pièces, composants et équipements sans préavis. Ce manuel d'installation, d'utilisation et d'entretien ne peut être reproduit sous quelque forme que ce soit sans l'accord écrit préalable de Ambro Controls Pty Ltd.




ATTENTION CE PRODUIT EST DESTINÉ À UN USAGE INDUSTRIEL

Les instructions suivantes doivent être lues attentivement et respectées avant d'utiliser la torche de précision 1811161-1 (qui sera désormais appelée « torche »). Veuillez conserver ce manuel pour référence future. Ces instructions ne constituent pas un matériel de formation complet pour le soudage. AMBRO CONTROLS ne sera pas tenue responsable des dommages survenant en raison d'une mauvaise utilisation ou d'une modification de l'appareil. N'utilisez pas la torche de précision à moins d'être formé ou sous une supervision appropriée.

AVERTISSEMENTS GÉNÉRAUX

AVERTISSEMENTS

- Ne pas l'utiliser dans des espaces confinés.
- Ne jamais graisser ou huiler aucune partie de cette torche (torche de précision).
- Ne laissez jamais la torche sans surveillance.
- Ne posez pas la torche sur une surface, lorsqu'elle est allumée.
- Ne pas inhaler les vapeurs produites par le brasage ou la soudure.
- Garder hors de la portée des enfants.
- N'utilisez jamais la torche si le/les tuyau(x) présentent des signes d'abrasion, de détérioration ou d'autres imperfections. Remplacez immédiatement le/les tuyau(x) auprès d'un distributeur agréé.
- N'utilisez jamais d'équipement endommagé ou défectueux. Consultez un personnel qualifié si vous avez des inquiétudes.
- Ne pas altérer ou modifier les composants de la torche.
- N'utilisez pas d'équipement endommagé.
- Ne laissez jamais les bouteilles à proximité d'étincelles, de flammes ou d'autres sources de chaleur.
- Ne pas utiliser sur des contenants pouvant provoquer des explosions, des incendies ou le dégagement de vapeurs ou de fumées toxiques.
- Ne pas utiliser en état d'ébriété, de somnolence ou de distraction.
- Ne fumez jamais et n'utilisez aucune forme de cigarette électronique pendant l'utilisation ou la manipulation de la torche.
- Ne chauffez jamais les bouteilles ou les tuyaux, et ne les placez jamais à proximité de toute forme de source de chaleur.
- N'utilisez jamais de composants qui ne sont pas inclus avec la torche et ne remplacez aucun composant par ceux de fournisseurs non autorisés.
- Utilisez toujours la torche dans un endroit bien ventilé, loin des matériaux ou substances inflammables.
- Travaillez toujours sur un support ininflammable.
- Pendant le fonctionnement, assurez-vous de toujours porter des lunettes de protection, des gants de soudage et tout autre équipement de protection approprié.
- Portez toujours des vêtements adaptés au type de travail à accomplir. Ne portez jamais de vêtements souillés de graisse.
- Laissez toujours la torche se refroidir complètement (à température ambiante) avant de la ranger.
- Gardez toujours les bouteilles en position verticale.
- Assurez-vous toujours que la flamme de la torche est complètement éteinte lorsque vous éteignez l'équipement.
- Placez toujours les bouteilles sur une surface stable.
- Avant d'utiliser l'équipement, assurez-vous que toutes les connexions sont bien serrées.
- En cas d'incendie, fermez toujours d'abord la bouteille d'oxygène, puis la bouteille de carburant (voir la section Éteindre de ce manuel) et utilisez les extincteurs appropriés et disponibles.
- En cas de fuite, fermez toujours d'abord la bouteille d'oxygène, puis la bouteille de carburant (voir la section Arrêt de ce manuel), déplacez-vous vers un endroit bien ventilé, cherchez l'origine de la fuite et mettez en œuvre les mesures correctives appropriées.
- Pendant la configuration, assurez-vous toujours que tous les boutons de la torche sont fermés avant de la connecter.
- Travaillez toujours dans un endroit propre, loin des matériaux combustibles ou graissés.

PROPOSITION 65 – AVERTISSEMENT POUR LES RÉSIDENTS DE LA CALIFORNIE	 Cancer et autres anomalies de la reproduction – www.P65Warnings.ca.gov
AVERTISSEMENT PROP. 65 POUR LES RESIDENTS DE LA CALIFORNIE	 Cancer et Troubles de l'appareil reproducteur - www.P65Warnings.ca.gov
ADVERTENCIA PROP. 65 PARA LOS RESIDENTES DE CALIFORNIA	 Cancer y Daño Reproductivo - www.P65Warnings.ca.gov

INFORMATIONS EN MATIÈRE DE SÉCURITÉ

Prévention des risques

- Protégez-vous systématiquement des substances inflammables, des brûlures, des flux, des métaux d'apport, des gaz et des fumées.
- Ne jamais utiliser de l'oxygène ou des gaz de combustion pour nettoyer des objets, des équipements ou des vêtements. L'oxygène pur favorise la combustion et le gaz est inflammable.
- Tenir hors de portée des enfants et des personnes handicapées.
- Soyez vigilant concernant vos tuyaux de soudage. Ne laissez jamais les tuyaux de soudage entrer en contact avec la flamme de la torche, les étincelles ou les surfaces chaudes. Les tuyaux de soudage présentent un risque de trébuchement.
- N'entreprenez jamais de travaux de soudage, de découpage ou de chauffage sur un récipient ayant contenu des liquides ou des vapeurs toxiques ou inflammables.
- N'effectuez jamais d'opérations de soudage, de découpage ou de chauffage dans une zone contenant des vapeurs combustibles, des liquides inflammables ou des poussières explosives.
- N'effectuez jamais d'opérations de soudage, de découpage ou de chauffage sur un conteneur ou un récipient fermé, qui pourrait exploser lorsqu'il est chauffé.
- Toutes les réglementations gouvernementales et les normes d'assurance relatives au stockage des bouteilles d'oxygène et de GPL doivent être scrupuleusement respectées.
- Conformez-vous toujours aux lois fédérales, étatiques et locales, et restez informé des réglementations, pratiques et des normes de l'industrie.
- Soyez prudent lors de l'utilisation de la torche à proximité de tuyaux et d'événements, car ils peuvent aspirer de l'air.
- Sachez toujours ce qui se trouve ou se trouvait à l'intérieur de votre pièce de travail.
- Débranchez toujours l'équipement de la source de carburant et fermez les vannes après chaque utilisation.
- Les opérateurs doivent veiller à retirer tous les aliments, y compris le café, les boissons gazeuses et autres boissons, de la zone de travail où sont manipulés les métaux d'apport de brasage, les alliages de brasage et les flux.
- Tout contact occasionnel entre les mains, le visage, le nez ou la bouche doit être évité lors de la manipulation de métaux d'apport, de soudure, de flux ou de matériaux de base.
- Les fiches signalétiques de sécurité des flux de brasage et des métaux d'apport doivent être consultées avant d'utiliser ces substances.
- Les opérateurs doivent éliminer toutes les solutions de nettoyage conformément aux réglementations environnementales et aux procédures de l'entreprise.

Équipement de protection individuelle (ÉPI)

- Le personnel comprend les travailleurs et leurs supérieurs immédiats. Consultez les normes et réglementations locales appropriées concernant les vêtements et l'équipement de protection individuelle.
- Il est important de placer l'équipement de soudage, les machines, les câbles et autres appareils de manière à éviter tout danger pour le personnel.
- Des panneaux doivent être placés pour identifier les zones de soudage et indiquer que des lunettes de protection et d'autres dispositifs de protection applicables doivent être portés dans ces zones.
- La protection des yeux et du visage doit être conforme à la norme ANSI Z87.1 (Dispositifs personnels de protection des yeux et du visage pour le travail et l'éducation). Les personnes souffrant de problèmes oculaires particuliers doivent consulter leur médecin pour obtenir des informations spécifiques sur l'équipement de protection.
- Les vêtements de protection appropriés pour toute opération de soudage et de découpage varient en fonction de la taille, de la nature et de l'emplacement du travail à effectuer. Les vêtements doivent rester propres, car l'huile et la graisse peuvent réduire leurs qualités protectrices.
- Il est essentiel que les opérateurs portent une protection adéquate pour les yeux, le visage et le corps lorsqu'ils nettoient les assemblages avec un solvant, y compris l'eau du robinet.
- Porter des gants de protection est obligatoire pour éviter les blessures causées par les résidus acides ou caustiques présents dans l'agent de nettoyage ainsi que l'ingestion éventuelle de métaux déteints sur les joints et le matériau de base.
- Des gants en cuir, en caoutchouc ou en d'autres matériaux appropriés sont recommandés. Il est nécessaire d'utiliser des revêtements isolants afin de préserver les zones exposées à une énergie radiante élevée.

Ventilation

- Une ventilation adéquate doit être assurée pour toutes les opérations de soudage, de découpage, de brasage et autres opérations connexes.
- Une ventilation adéquate doit être fournie afin que toute concentration dangereuse de contaminants en suspension dans l'air exposée au personnel soit maintenue en dessous des limites autorisées spécifiées par l'autorité compétente. Il est nécessaire d'utiliser un équipement de protection respiratoire lorsqu'il n'est pas possible de maintenir une ventilation adéquate.
- Consultez toujours les fiches signalétiques (FS) pour les matériaux concernés lors du soudage ou du découpage.
- Certains flux et métaux recouverts de substances comme le cadmium ou le nickel peuvent être très toxiques.
- Il est essentiel que la ventilation dans les espaces confinés soit adéquate afin d'assurer une quantité suffisante d'oxygène nécessaire au maintien de la vie, d'éviter l'accumulation d'asphyxiants ou de mélanges inflammables ou explosifs, d'éviter les atmosphères enrichies en oxygène et de maintenir les contaminants en suspension dans l'air dans les atmosphères respirables en dessous des limites autorisées.
- Les opérateurs doivent prendre des précautions pour éviter de respirer directement les fumées.
- En cas d'insuffisance de la ventilation naturelle pour maintenir les contaminants en dessous des limites admissibles définies par les réglementations locales, il est nécessaire d'utiliser une ventilation mécanique ou un respirateur.
- Évitez d'utiliser l'équipement dans des pièces équipées de systèmes de gicleurs à moins qu'il n'y ait une ventilation suffisante pour garder la zone fraîche. Une ventilation insuffisante peut provoquer une fausse activation des systèmes d'extinction d'incendie.

Prévention des incendies

- Aucun soudage ou découpage ne peut être effectué à moins que l'atmosphère ne soit ininflammable et que les combustibles ne soient éloignés ou protégés des risques d'incendie.
- Quand il n'est pas possible de déplacer les travaux, il est nécessaire de déplacer tous les éléments amovibles qui risquent de causer un incendie, vers un lieu sécurisé.
- Lorsque les travaux et les éléments qui risquent de causer un incendie ne sont pas amovibles, des mesures de protection doivent être utilisées pour protéger ces éléments et le personnel qui se trouvent à proximité de la chaleur, des étincelles et des scories.
- Un équipement d'extinction d'incendie approprié doit être prêt à être utilisé là où des travaux de soudage et de découpage sont effectués.
- Inspectez-le régulièrement pour vous assurer qu'il est en bon état de fonctionnement. Familiarisez-vous avec l'utilisation de l'extincteur.
- Une fois les travaux terminés, inspectez la zone pour déceler d'éventuels incendies ou des matériaux en combustion couvante.
- Vérifiez toujours votre zone de travail pour repérer des zones chaudes dissimulées susceptibles de causer des incendies. Refroidissez toutes les zones douteuses et ne quittez pas la zone tant que vous n'êtes pas certain qu'il n'y a aucun risque d'incendie.
- Chaque fois qu'il y a des matériaux combustibles à moins de 10,7 mètres (35 pieds) de l'opération de soudage, il est nécessaire de placer des personnes chargées de surveiller pour déceler des incendies potentiels (appelées guetteurs d'incendie).
- Assurez-vous toujours que la flamme de la torche est complètement éteinte après avoir éteint l'équipement. En cas de retour de flamme ou de retour de feu, veuillez suivre les instructions ci-dessous dans l'ordre :
 1. Fermez la vanne de débit d'oxygène de la torche (en tournant le bouton dans le SENS DES AIGUILLES D'UNE MONTRE)
 2. Fermez la vanne de débit de gaz combustible de la torche (en tournant le bouton dans le SENS DES AIGUILLES D'UNE MONTRE)
 3. Fermer la vanne du régulateur d'oxygène de la bouteille (en tournant le bouton dans le SENS INVERSE DES AIGUILLES D'UNE MONTRE)
 4. Fermer le robinet du régulateur de gaz combustible de la bouteille (en tournant le bouton dans le SENS INVERSE DES AIGUILLES D'UNE MONTRE)
 5. N'utilisez aucun équipement oxycombustible tant que la cause précise du retour de flamme ou du retour de feu n'a pas été entièrement enquêtée
 6. Prenez des mesures correctives pour éliminer la cause du retour de flamme ou du retour de feu
- L'inspection et l'autorisation par un représentant désigné de la direction sont requises avant le début des opérations de soudage ou de découpage dans un endroit non conçu à ces fins.

Supervision

Cette section fait référence à l'utilisation commerciale du produit. La direction fait référence aux personnes responsables des opérations de soudage, tandis que les superviseurs font référence aux personnes responsables de la supervision du soudage.

Responsabilités

Les opérateurs et la direction sont tous deux responsables de la sécurité des opérations de soudage et de découpage.

Formation

Les soudeurs et leurs superviseurs doivent être formés à l'utilisation sécuritaire de leur équipement et aux procédures d'urgence. La direction en est responsable.

Les travailleurs doivent comprendre les dangers et assurer les précautions de sécurité nécessaires avant de commencer les travaux. La direction en est responsable.

Entrepreneurs

Les entrepreneurs sélectionnés pour les opérations de soudage doivent être formés et qualifiés et connaître les risques potentiels. La direction en est responsable.

Les entrepreneurs doivent être informés de toute condition dangereuse (par exemple, matériaux inflammables, manque de ventilation) dont ils pourraient ne pas être conscients. La direction en est responsable.

Les superviseurs doivent s'assurer que les matériaux inflammables ou combustibles ne sont pas exposés à des risques d'inflammation en prenant une ou plusieurs des précautions suivantes :

1. Déplacez le travail vers un endroit sans matériaux combustibles et loin des zones dangereuses
2. Déplacez les matériaux combustibles à une distance sécuritaire du lieu de travail ou les protéger correctement contre tout risque d'inflammation si le travail ne peut pas être facilement déplacé
3. Planifiez les opérations de soudage et le découpage de manière à ce que ces matériaux ne soient pas exposés

Opérateurs

Les opérateurs doivent comprendre les dangers du travail à effectuer et les procédures utilisées pour contrôler les conditions dangereuses.

Les opérateurs doivent manipuler l'équipement en toute sécurité conformément aux instructions de ce manuel et l'utiliser de manière à ne pas mettre en danger des vies et des biens.

Les opérateurs doivent être formés afin de comprendre les dangers liés aux opérations de soudage.

Les opérateurs ne doivent jamais utiliser cet équipement s'ils ne sont pas sûrs de son fonctionnement en toute sécurité.

Les opérateurs ne doivent jamais travailler seuls dans des conditions dangereuses, telles que des risques de choc électrique ou dans des endroits où la ventilation n'est pas adéquate.

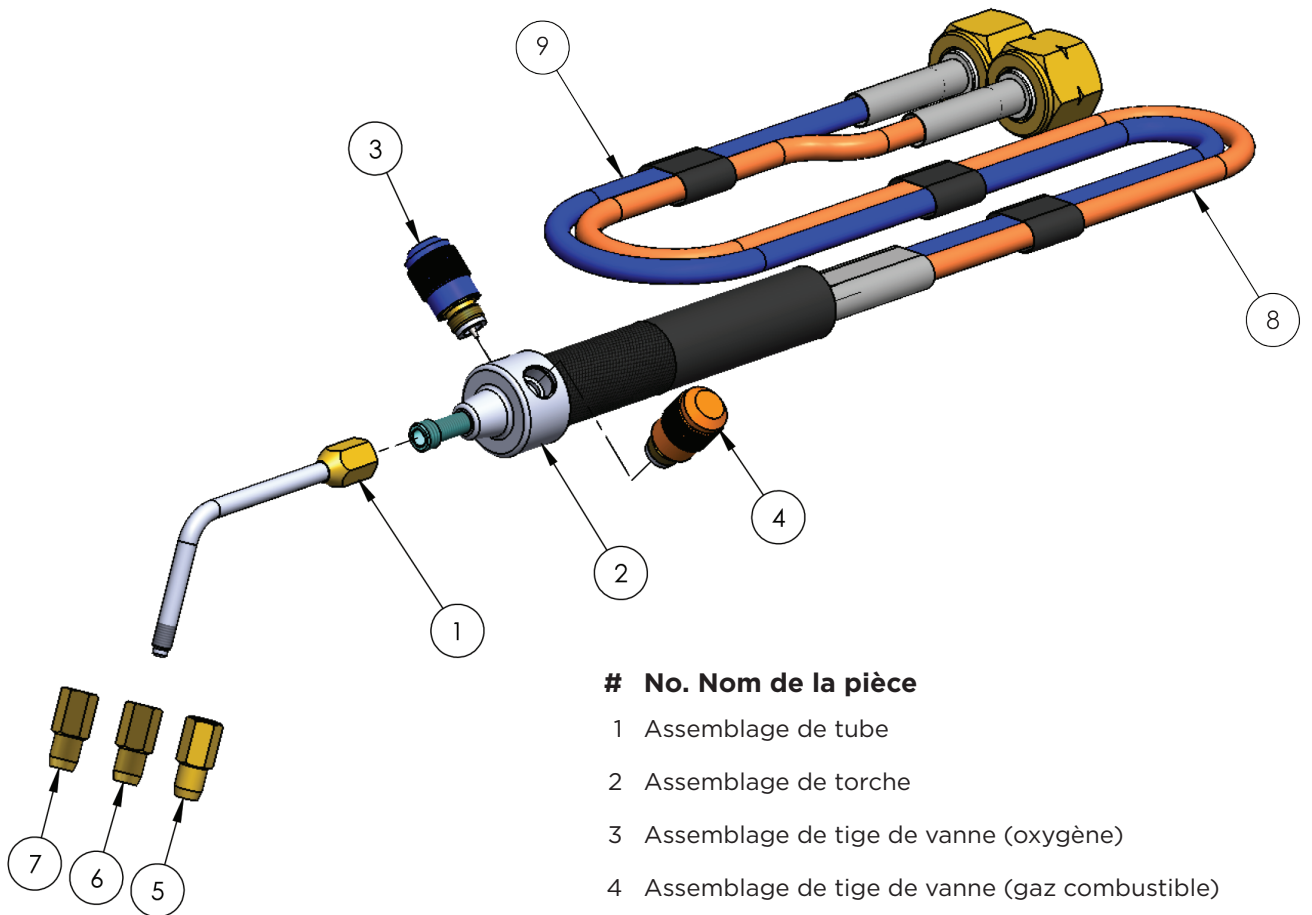
Consignes de sécurité

Vous devez lire et comprendre ces directives de sécurité, car elles sont essentielles pour assurer une utilisation sécurisée de la torche de précision. Le non-respect de ces directives peut entraîner des blessures ou voire même la mort. Ces directives ne couvrent pas tous les dangers possibles. Il est recommandé de faire preuve de bon sens.

Vous pouvez consulter les sources suivantes pour obtenir des directives de sécurité détaillées, des instructions d'utilisation et des normes pour les équipements de soudage et de coupage oxycombustible :

1. ANSI, publication Z49.1 de l'American National Standards Institute (Institut national américain de normalisation)
2. API, American Petroleum Institute (Institut américain du pétrole); ASTM, American Society for Testing and Materials (Société américaine pour les tests et les matériaux)
3. AWS, American Welding Society (Société américaine de soudage)
4. CGA, Compressed Gas Association (Association du Gaz Comprimé)
5. CSA, Association canadienne de normalisation
6. DOT, U.S. Department of Transportation (Département américain des transports)
7. NFPA, National Fire Prevention Association (Association nationale de prévention des incendies)
8. OSHA, Occupational Safety and Health Administration (Sécurité du travail et Administration de et santé)

VUE ÉCLATÉE + LISTE DES COMPOSANTS



No. Nom de la pièce

- 1 Assemblage de tube
- 2 Assemblage de torche
- 3 Assemblage de tige de vanne (oxygène)
- 4 Assemblage de tige de vanne (gaz combustible)
- 5 Bec de soudage n° 1
- 6 Bec de soudage n° 2
- 7 Bec de soudage n° 3
- 8 Tuyau de gaz de carburant orange (longueur de 1,98 m (6,5 pi), DI 3/32 po, CGA21)
- 9 Tuyau d'oxygène bleu (longueur de 1.98 m (6,5 pi), ID 3/32 po, CGA20)

Pièces de rechange

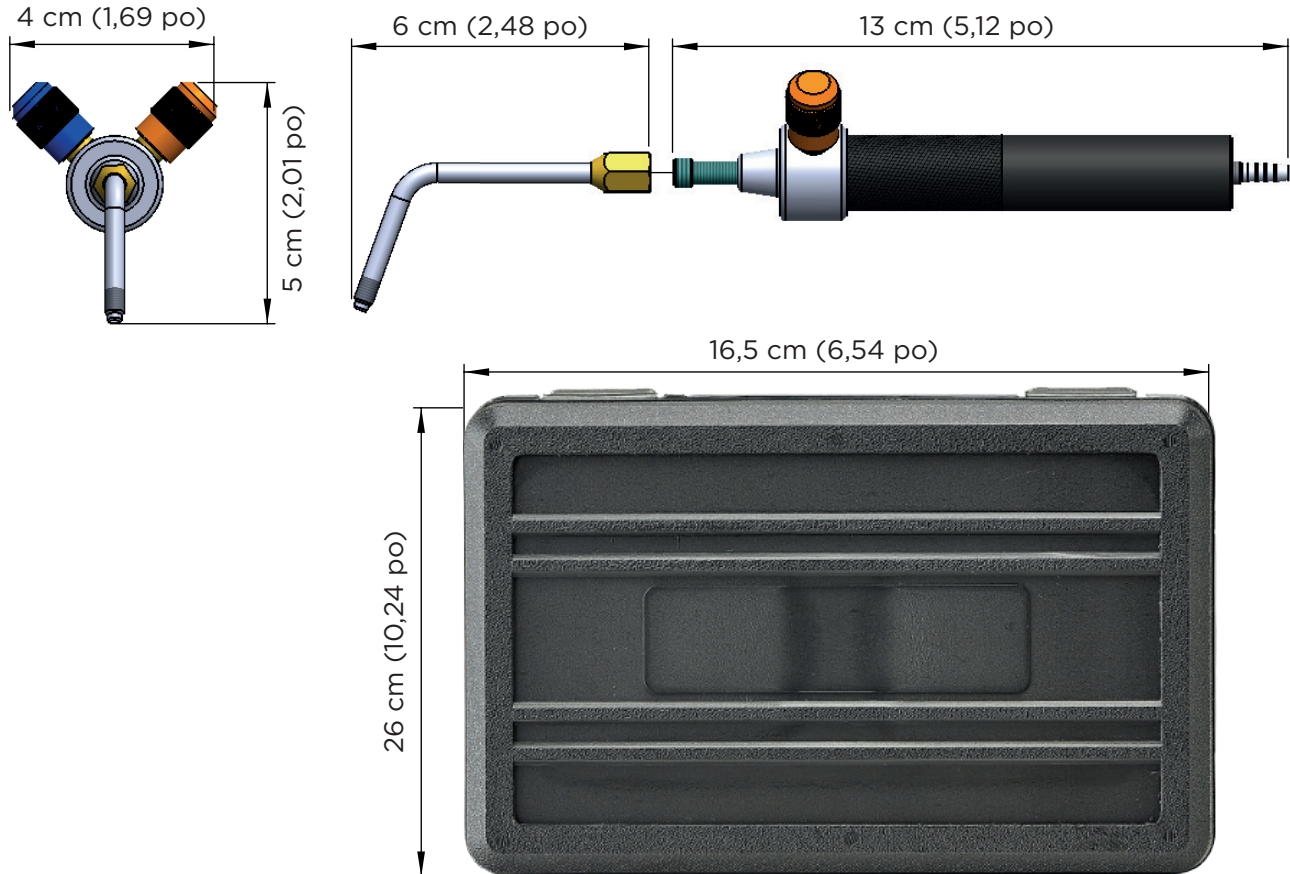
Les pièces 1, 5, 6 et 7 sont disponibles sous forme de trousse de pièces de rechange.

Applications typiques

Soudure et brasage du cuivre.
Soudure et brasage de l'aluminium.
Soudure et brasage du cuivre aluminium.
CVC et plomberie.

DONNÉES TECHNIQUES

Dimensions du produit



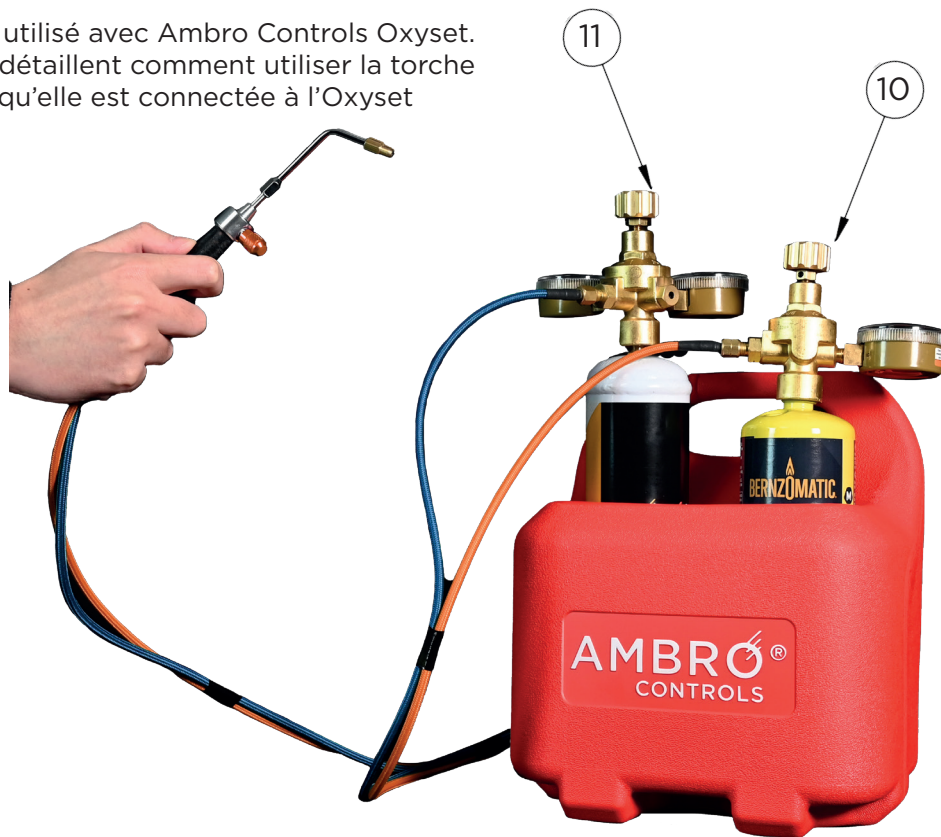
Données techniques

La torche de précision 1811161-1 est alimentée par une bouteille d'oxygène (bouteilles UN ISO 11118-1 fabriquées conformément à la norme 49 CFR 178.35, 178.69, 178.70, 178.71.) et une bouteille MAP-Pro (conforme à la norme DOT39). Nous recommandons d'utiliser des bouteilles d'oxygène Ambro et des bouteilles MAP-Pro.

Bec	Plage de soudage (pouces) :	Pression de l'oxygène	Pression du gaz de carburant
Bec n°. 1	0,0591 - 0,0787	29 PSI	4,5 - 7,2 PSI
Bec n°. 2	0,0787 - 0,0984	29 PSI	4,5 - 7,2 PSI
Bec n°. 3	0,0984 - 0,118	29 PSI	4,5 - 7,2 PSI

MODE D'EMPLOI

Conçu pour être utilisé avec Ambro Controls Oxysset. Ces instructions détaillent comment utiliser la torche de précision lorsqu'elle est connectée à l'Oxysset



1. Assurez-vous que les boutons de réglage des régulateurs de pression (10 et 11) sont fermés en tournant les boutons du régulateur dans le **SENS INVERSE DES AIGUILLES D'UNE MONTRE**.
2. Assurez-vous que les boutons de réglage de la torche (3 et 4) sont fermés en tournant les boutons de la torche dans le **SENS DES AIGUILLES D'UNE MONTRE**.
3. Vérifiez que les régulateurs de pression d'oxygène et de gaz combustible sont bien vissés sur leurs bouteilles respectives, afin d'éviter toute fuite. Les filetages des régulateurs de pression sont différents pour éviter les erreurs de couplage des bouteilles à leur régulateur de pression correspondant.
4. Connectez les tuyaux aux régulateurs correspondants.
REMARQUE: serrer uniquement les raccords de tuyau à 5-6Nm. Le surserrage endommagera la connexion.
5. Serrez tous les raccords et effectuez un test pour déceler des fuites.

AVERTISSEMENTS

- La torche de précision 1811161-1 est destinée à être utilisée uniquement avec des bouteilles d'oxygène jetables et MAP-Pro. Ces bouteilles ne sont pas rechargeables. L'utilisation d'autres bouteilles peut être dangereuse. Ne connectez pas les bouteilles avant d'avoir lu toutes les instructions pertinentes.
- Le branchement ou le débranchement des bouteilles doit être effectué dans un endroit bien ventilé, de préférence à l'extérieur, et loin des personnes et/ou des animaux. Tenir à l'écart des matériaux ou substances inflammables et des sources de chaleur incandescentes, comme les flammes nues, les cigarettes allumées, les appareils électriques, etc.
- Le poids des bouteilles peut être trompeur, il est donc important de confirmer qu'une bouteille est vide avant de la remplacer. Pour protéger l'environnement, éliminez les bouteilles dans un endroit sûr conformément aux réglementations locales et de préférence dans un centre de recyclage.

AVERTISSEMENTS

- Nous recommandons de pré régler la pression de sortie des régulateurs à un minimum de 4,5 psi pour le régulateur de pression de gaz combustible et de 29 psi pour le régulateur de pression d'oxygène.
- La pression de service maximale ne doit JAMAIS dépasser 7,2 psi pour le régulateur de pression de gaz combustible et 43 psi pour le régulateur de pression d'oxygène.

*La régulation réelle de la pression dépend de l'application et de l'expérience de l'utilisateur. En cas de doute avant l'utilisation, veuillez consulter une personne qualifiée.

Mise en marche

- Pour commencer, assurez-vous que les vannes de la torche (3 et 4) sont fermées en tournant les boutons de la torche dans le **SENS DES AIGUILLES D'UNE MONTRE**.
- Ensuite, ouvrez lentement les boutons du régulateur de pression (10 et 11) en tournant dans le **SENS DES AIGUILLES D'UNE MONTRE** pour engager les bouteilles

Régulateur de pression du gaz de combustion



Régulateur de pression de l'oxygène



- Ouvrir lentement le bouton de régulation du gaz de combustion de la torche (4) en tournant le bouton dans le **SENS INVERSE DES AIGUILLES D'UNE MONTRE**, d'environ un quart de tour, laissant ainsi le gaz couler librement pendant quelques secondes afin d'éliminer l'air du système.

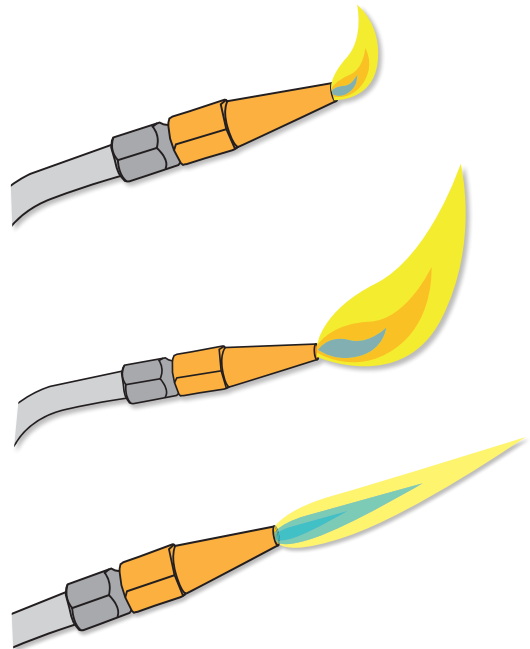


Allumage de la torche

Allumez à l'aide d'un briquet à étincelle, en faisant attention à maintenir la flamme collée au bec de soudage jusqu'à ce que vous obteniez une flamme comme indiqué. Si la flamme s'éloigne du bec et s'éteint, fermez légèrement le bouton de gaz de combustion pour ralentir l'alimentation.

Réglez la flamme avec le robinet de commande jusqu'à ce que la fumée disparaisse.

Tournez le bouton de la vanne de réglage du débit d'oxygène (3) dans le **SENS INVERSE DES AIGUILLES D'UNE MONTRE** et augmentez le débit jusqu'à ce que le cône intérieur blanc (flèche) soit clairement défini.



AVERTISSEMENTS : RETOUR DE FLAMME OU RETOUR DE FEU.

Un retour de flamme se produit lorsque la flamme revient dans la torche. Cela pourrait provoquer une explosion, entraînant des blessures graves ou des dégâts matériels. Un retour de flamme peut être provoqué par une pression de régulateur incorrecte, un équilibre incorrect du débit de carburant/oxygène ou si le carburant s'enflamme prématurément.

Un retour de feu se produit lors du reflux des gaz à la pointe du bec de la torche, provoquant l'extinction de la flamme. Ceci est souvent dû au contact de la pointe du bec de la torche contre la pièce de travail.

En cas de retour de flamme ou de retour de feu, IMMÉDIATEMENT :

1. Fermez la vanne de débit d'oxygène de la torche (en tournant le bouton dans LE SENS DES AIGUILLES D'UNE MONTRE)
2. Fermez la vanne de débit de gaz de combustion de la torche (en tournant le bouton dans le SENS DES AIGUILLES D'UNE MONTRE)
3. Fermez la vanne du régulateur de débit d'oxygène (en tournant le bouton dans le SENS INVERSE DES AIGUILLES D'UNE MONTRE)
4. Fermez la vanne du régulateur de gaz de combustion (en tournant le bouton dans le SENS INVERSE DES AIGUILLES D'UNE MONTRE)

NE PAS utiliser la torche de précision tant que la cause du retour de flamme ou du retour de feu n'a pas été complètement résolue.

Éteindre

Effectuez les étapes suivantes dans l'ordre.

1. Fermez la vanne de débit d'oxygène de la torche (en tournant le bouton dans le **SENS DES AIGUILLES D'UNE MONTRE**
2. Fermez la vanne de débit de gaz de combustion de la torche (en tournant le bouton dans le **SENS DES AIGUILLES D'UNE MONTRE**
3. Fermez la vanne du régulateur de débit d'oxygène en tournant le bouton dans le **SENS INVERSE DES AIGUILLES D'UNE MONTRE**
4. Fermer la vanne du régulateur de gaz de combustion en tournant le bouton dans le **SENS INVERSE DES AIGUILLES D'UNE MONTRE**
5. Purger le système de tout le gaz restant.

MISE EN GARDE : PURGE

La purge d'un système consiste à éliminer tous les résidus de gaz de combustion et d'oxygène de la torche, du tuyau et des régulateurs après le fonctionnement.

NE JAMAIS purger le système à proximité de sources d'inflammation.

ADVERTISEMENTS :

- Ne pas utiliser dans des espaces confinés.
- La torche de précision 1811161-1 doit être utilisée dans un endroit bien ventilé, loin des matériaux ou substances inflammables.
- Il est absolument interdit de graisser ou d'huiler une quelconque partie de cette torche.
- Ne laissez pas la torche de précision 1811161-1 sans surveillance lorsqu'elle est allumée.
- Ne posez pas la torche sur une surface, lorsqu'elle est allumée.
- Travaillez sur un support ininflammable.
- Pendant les opérations de soudage, portez des lunettes de protection et des gants de soudage.
- Portez des vêtements adaptés au type de travail à accomplir et ne portez pas de vêtements souillés de graisse.
- Ne pas inhaler les vapeurs produites par le brasage ou la soudure.
- Remplacez immédiatement les tuyaux (8 et 9) en cas d'abrasion, de détérioration ou d'autres imperfections.
- Éviter les torsions et la surchauffe des tuyaux flexibles (8 et 9).
- Pendant l'utilisation, certaines pièces de la torche de précision 1811161-1 peuvent atteindre des températures élevées et doivent être laissées refroidir complètement avant le stockage.
- Il est dangereux d'utiliser du matériel endommagé ou défectueux.
- Ne pas altérer ou modifier les composants de la torche.
- Si un retour de flamme se produit lors de l'allumage, cela peut être dû à des pressions incorrectes réglées au niveau des régulateurs ou à un feu appliqué avant que le gaz combustible ne s'écoule correctement ou à un équilibre incorrect du débit de carburant/oxygène.
- L'assemblage et le réglage effectués en usine ne doivent pas être modifiés. Il peut être dangereux de tenter de modifier le réglage ou la construction de l'appareil, de démonter certaines pièces ou d'utiliser des composants autres que ceux recommandés.
- Fermez les robinets de l'appareil avant le branchement.
- Ne pas fumer lors du changement des bouteilles.
- Ne pas utiliser de graisse ou d'huile avec des pièces en contact avec l'oxygène.
- Veillez à ne pas chauffer les bouteilles et à ne pas brûler les tuyaux.
- Effectuez votre travail dans un endroit propre, loin des matériaux combustibles ou graissés.

ENTRETIEN

L'entretien ne doit être effectué que par des professionnels qualifiés. En cas de panne irréparable, retournez votre torche de précision au point d'achat.

Vérification du joint d'étanchéité

Si votre appareil présente des fuites de gaz ou vous commencez à sentir du gaz, déplacez-le immédiatement vers l'extérieur. Vérifier les joints (voir 5.2) dans un endroit bien ventilé, loin des sources d'inflammation.

Pour vérifier l'étanchéité de la torche de précision, utilisez de l'eau savonneuse ou un produit détecteur de fuites, tel que LA-CO Visu Glow. Après avoir appliqué le détecteur de fuites sur une zone suspectée d'avoir une fuite, recherchez une formation de bulles ou de mousse causée par les gaz qui s'échappent.

Nettoyage des buses

Dévissez la buse et nettoyez-la en soufflant de l'air dans le trou. Revissez fermement la buse dans la torche et une fois serrée, vérifiez l'étanchéité.

Stockage

Si la torche de précision n'est pas utilisée, déconnectez tous les composants et laissez tout le système se vider. Cela évitera les décharges de bouteilles dues à des fuites imperceptibles.

Placez la torche de précision dans son emballage d'origine ou dans un autre étui de protection et rangez-la dans un endroit frais, sec et bien ventilé.

- Ne stockez pas et ne transportez pas la torche de précision avec des bouteilles connectées.
- Assurez-vous que l'appareil est toujours stocké en position verticale
- Ne pas l'exposer au soleil
- Ne pas l'exposer à des températures supérieures à 122 °F (50 °C)
- Garder hors de la portée des enfants.

AVERTISSEMENTS

- **Effectuez le nettoyage uniquement lorsque la buse est froide**
- **N'utilisez pas d'aiguilles ou d'épingles pour nettoyer la buse, car des dommages potentiels pourraient rendre l'utilisation de la torche de précision dangereuse.**
- **Si le blocage ne peut pas être retiré, NE PAS utiliser la buse**
- **Ne jamais utiliser de l'oxygène ou des gaz de combustion pour nettoyer des objets, des équipements ou des vêtements**

REMARQUE : Certains détails des illustrations indiquées peuvent différer de ceux de l'appareil fourni. Ambro Controls Pty Ltd se réserve le droit de modifier le produit sans avis préalable.

DÉPANNAGE

Problème	Cause possible	Solution
Odeur de gaz/sifflement	1. Connexion lâche	1. Resserrez les connexions, puis effectuez des tests pour déceler des fuites au niveau des connexions à l'aide d'eau savonneuse ou d'un autre produit détecteur de fuites
Impossible d'allumer la torche	1. Bouteille vide 2. Vanne de la torche fermée 3. Pression de sortie trop faible 4. Blocage dans les tuyaux de gaz 5. Composant défectueux	1. Remplacez la bouteille 2. Reportez-vous au manuel d'instructions et suivez la procédure de réglage des vannes de la torche 3. Reportez-vous au manuel d'instructions et réglez les vannes de régulation en fonction des pressions 4. Fermez toutes les vannes, débranchez les tuyaux et vérifiez s'il y a des blocages dans le tuyau et la torche 5. Confirmez toutes les conditions ci-dessus et contactez le service à la clientèle
Flamme trop petite ou instable	1. Bouteille vide 2. Bec sale 3. Débit trop faible 4. Pression trop basse	1. Remplacez la bouteille 2. Nettoyez ou remplacez le bec 3. Augmentez le débit de la torche en fonction des procédures du manuel d'instructions 4. Vérifiez les mesures de la jauge et réglez au besoin conformément aux procédures du manuel d'instructions
Flamme trop grande	1. Débit trop élevé 2. Sortie de pression trop élevée	1. Réduisez le débit de la torche, conformément aux procédures du manuel d'instructions 2. Réduisez la pression de sortie du régulateur en réglant le bouton conformément aux procédures du manuel d'instructions
La plume de la flamme ne peut pas être ajustée	1. Pression incorrecte	1. Consultez le manuel d'instructions et vérifiez que la pression est dans les paramètres recommandés
Bruit éclatant (retour de flamme)	1. Bec de la torche trop proche de la surface à souder 2. Débit de gaz combustible insuffisant 3. Débit d'oxygène excessif 4. Débit soudain d'oxygène	1. Éloignez un peu le bec de la torche de la zone de travail 2. Équilibre incorrect du débit de gaz de combustion/oxygène. Reportez-vous au manuel d'instructions pour le réglage de la flamme 3. Équilibre incorrect du débit de gaz de combustion/oxygène. Reportez-vous au manuel d'instructions pour le réglage de la flamme 4. Une fois la torche allumée, augmentez progressivement le débit de la valve d'oxygène, n'ouvrez pas la valve brusquement. Vérifiez la pression du régulateur d'oxygène et réglez-la conformément aux procédures du manuel d'instructions
Les tiges de remplissage ne collent pas ou ne coulent pas dans le joint métallique	1. Mauvaise application de la chaleur 2. Mauvaise préparation de la pièce de travail 3. Aucun débit ou débit incorrect utilisé 4. Tige de remplissage incorrecte pour la pièce de travail	1. Assurez-vous que la taille de bec appropriée est utilisée avec une résistance à la flamme adaptée à la taille de la pièce de travail. Pour de plus amples informations, veuillez vous reporter au manuel d'instructions 2. Assurez-vous de nettoyer soigneusement la pièce de travail afin d'éliminer la graisse, l'oxydation des surfaces ou tous autres contaminants 3. Assurez-vous que le type de flux est correct pour le matériau de la pièce de travail. Suivez les recommandations du fabricant concernant l'application du flux 4. Assurez-vous que le matériau de la tige de remplissage est compatible avec le flux et la pièce de travail

GARANTIE

1 PÉRIODE DE GARANTIE

Ambro Controls garantit que tous les produits fabriqués ou fournis par Ambro sous la marque « Ambro » seront exempts de tout défaut de matériaux ou de fabrication (« Garantie ») pour les périodes indiquées ci-dessous à compter de la date d'achat/de facturation, des produits suivants :

Torche de précision | 1 an

Ambro met en évidence l'importance de consulter attentivement toute la documentation et les consignes fournies avant d'utiliser n'importe quel produit Ambro. Le non-respect des consignes peut conduire à la perte ou à la détérioration de stocks de valeur en raison d'un fonctionnement inapproprié.

2 CONDITIONS DE GARANTIE

- 2,1 Sous réserve des conditions suivantes, si une défaillance d'une pièce ou un défaut de fabrication est constaté pendant la période de garantie, Ambro Controls s'engage à remplacer ou à réparer les éléments mentionnés précédemment ou une partie de ces éléments (à sa discrétion) sans frais pour l'acheteur.
- 2,2 Ambro Controls peut entreprendre toute réparation ou désigner un réparateur agréé pour le faire.
- 2,3 Pour faire une demande de réclamation au titre de cette garantie, l'acheteur doit présenter le bon d'achat original à Ambro Controls.
- 2,4 L'Acheteur doit signaler tout défaut ou défaut potentiel à Ambro Controls dès que possible après la découverte du défaut ou du défaut potentiel.
- 2,5 La demande de réparation ou de remplacement des produits mentionnés ci-dessus doit uniquement découler de défauts de matériaux ou de fabrication, et non d'une mauvaise utilisation, négligence, accident, installation inappropriée, modification non autorisée, tentative de réparation non autorisée, non-respect du manuel d'instructions du produit Ambro ou des marquages sur le produit, ou de tout autre abus qui, de l'avis raisonnable d'Ambro Controls, aurait été causé par l'acheteur ou par tout agent ou employé de l'acheteur.
- 2,6 Ambro Controls ne sera pas tenue responsable des frais de transport encourus dans le cadre d'une enquête ou d'un service des produits répertoriés pendant la période de garantie.
- 2,7 Ambro Controls se réserve le droit de facturer à l'acheteur toute enquête ou service (y compris les pièces et la main-d'œuvre) qui ne sont pas couverts par la garantie.
- 2,8 Ambro Controls ne sera pas tenue responsable de toute perte ou dommage accidentel ou consécutif résultant de quelque cause que ce soit, y compris, mais sans s'y limiter, la perte ou le dommage causé par une mauvaise utilisation des produits énumérés, une négligence, un accident, une mauvaise installation, une modification non autorisée, une tentative de réparation non autorisée, une défaillance, le non-respect des instructions du manuel ou des marquages sur le produit, ou toute cause indépendante de la volonté humaine survenant après que le produit a quitté le contrôle d'Ambro Controls.

3 RÉCLAMATION AU TITRE DE LA GARANTIE OU DES GARANTIES CONSOMMATEUR

- 3,1 En cas de défaut potentiel et/ou de panne du produit, veuillez contacter Ambro Controls par téléphone au 858 779 0377 ou par courriel à ambro@bromic.com.
- 3,2 Toute réclamation au titre de la garantie pour un remplacement doit être accompagnée d'un formulaire de produit dûment rempli, détaillant les coordonnées personnelles, le numéro de pièce du produit, le numéro de série le cas échéant, la date d'achat, la date d'installation, ainsi qu'une brève explication du problème et des actions entreprises pour le résoudre. En nous fournissant autant d'informations que possible, vous nous aiderez à identifier la cause profonde du problème.
- 3,3 Toutes les demandes de renseignements ou réclamations au titre de la garantie doivent être adressées au siège social d'Ambro Controls, Suite 100, 7595 Irvine Center Drive, Irvine CA, 92618 États-Unis ou par téléphone au 858 779 0377 ou en envoyant un courriel à ambro@bromic.com.
- 3,4 Le produit faisant l'objet d'une réclamation sera soumis à une évaluation et nous vous enverrons un rapport par écrit détaillant : Une utilisation abusive, négligence, accident, remplacement par des pièces non Ambro, modification, utilisation et/ou installation inappropriées du produit.

4 GARANTIES CONSOMMATEUR

- 4,1 Vous avez droit à un remplacement ou un remboursement en cas de défaillance majeure, et à une compensation pour toute autre perte ou tout autre dommage raisonnablement prévisible. Vous avez également droit à la réparation ou au remplacement du produit s'il n'est pas de qualité acceptable et si la défaillance n'est pas majeure.

Avis publié le 16 mai 2023

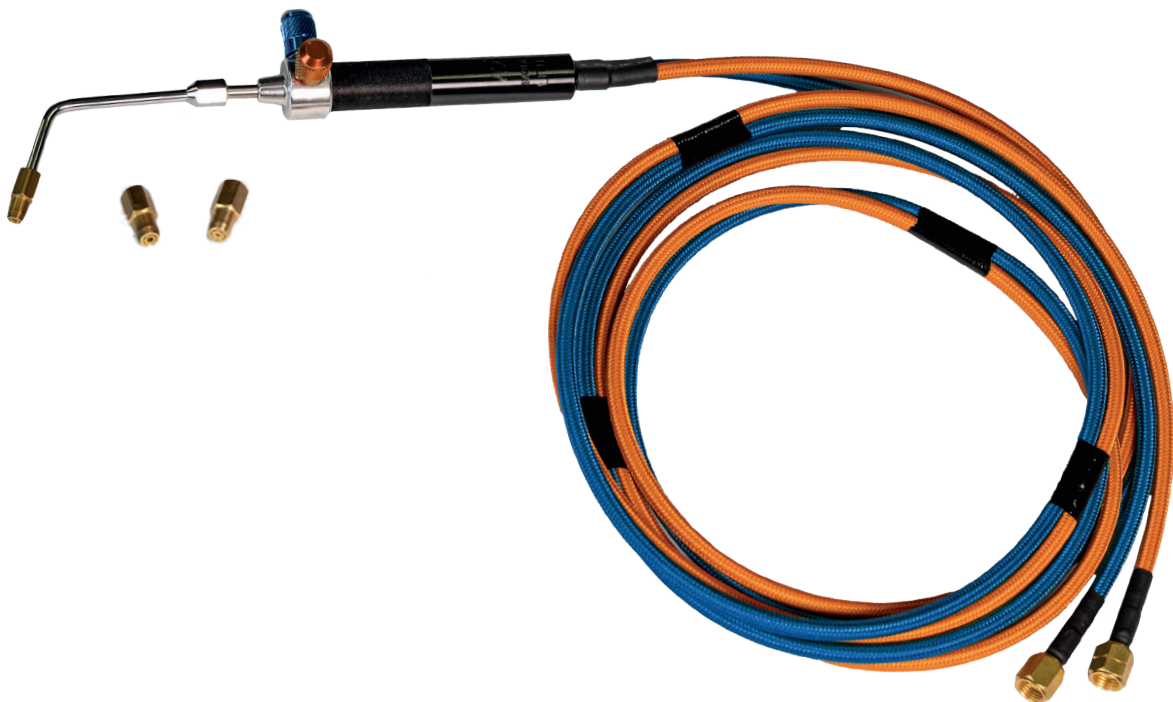
Fin de la version canadienne-française

Start of Spanish Version.
Inicio de la versión en español.

1811161-1

**ANTORCHA DE PRECISIÓN
UN PRODUCTO OXYSET**

MANUAL PARA EL OPERADOR



Esta página se dejó en blanco intencionalmente.

TABLA DE CONTENIDO

Advertencias	40
Información de seguridad	41-43
Prevención de peligros y Equipo de Protección Personal	41
Ventilación y Prevención de Incendios	42
Pautas de Supervisión y Seguridad	43
Vista explosionada y lista de componentes	44
Piezas de repuesto	44
Aplicaciones Típicas	44
Datos técnicos	45
Dimensiones del producto	44
Datos técnicos	45
Instrucciones de operación	46-49
Encendido	47
Encendiendo la Antorcha	48
Apagando	49
Mantenimiento	50
Resolución de problemas	51
Reclamaciones de garantía y servicio	52



USA Office: 7595 Irvine Center Drive, Suite 100 Irvine California 92618 USA
Telephone: 858 779 0377 Email: ambro@bromic.com Web: www.ambrocontrols.com

Note: Ambro Controls Pty Ltd reserves the right to make changes to specifications, parts, components and equipment without prior notification. This Installation, operation and service manual may not be reproduced in any form without prior written consent from Ambro Controls Pty Ltd.

ATENCIÓN

Lea detenidamente y siga las instrucciones siguientes antes de usar el Soplete de precisión 1811161-1 (al que nos referiremos de aquí en más como el “kit”) y guarde el manual como referencia en el futuro. Estas instrucciones no constituyen un curso completo de soldadura. **AMBRO CONTROLS PTY LTD no acepta responsabilidad por daño alguno que ocurra debido al uso incorrecto o a modificaciones del dispositivo. No use el Soplete de precisión a menos de estar capacitado para ello o de contar con la supervisión apropiada.**

ADVERTENCIAS GENERALES

ADVERTENCIAS:

- No use en espacios confinados
- Nunca engrase o aceite las piezas de este equipo (Soplete de precisión)
- No deje nunca el equipo desatendido
- No apoye la antorcha encendida
- No inhale los humos de soldadura o soldadura dura
- Mantenga fuera del alcance de los niños
- No use nunca el equipo si la(s) manguera(s) muestra(n) señales de abrasiones, deterioro u otras imperfecciones. Reemplace las mangueras inmediatamente del distribuidor autorizado.
- No use nunca equipo dañado o que funciona incorrectamente. Consulte a personal calificado si tiene una inquietud
- No manipule ni modifique componente alguno le antorcha
- No use equipo dañado
- No acerque nunca los cilindros a chispas, llamas u otras fuentes de calor
- No use en contenedores que puedan causar explosiones, incendios o la liberación de vapores o humos tóxicos
- No utilice el equipo si está afectado por drogas o alcohol, somnoliento o distraído
- No fume ni use e-cigarrillos de ningún tipo durante el uso o manejo del equipo
- No caliente nunca los cilindros o mangueras ni los coloque cerca de fuentes de calor de ningún tipo
- No use nunca componentes que no estén incluidos en el kit ni use componentes de remplazo de proveedores no autorizados
- Use siempre el equipo en un área bien ventilada, alejada de materiales o sustancias inflamables
- Trabaje siempre sobre una base no inflamable
- Use siempre antiparras y guantes de soldadura y otro equipo de protección apropiado cuando opere este equipo
- Use siempre ropa adecuada para el tipo de trabajo que desee realizar. No use nunca ropa ensuciada con grasa
- Permita siempre que el equipo se enfríe completamente (a temperatura ambiente) antes de guardarlo
- Mantenga siempre los cilindros en posición vertical
- Asegúrese siempre de que la llama de la antorcha esté totalmente apagada cuando apague el equipo
- Apoye siempre los cilindros sobre una superficie firme
- Cierre siempre primero el cilindro de oxígeno y luego el cilindro de combustible en caso de incendio, y use Extinguidores de incendio apropiados y disponibles.
- Antes de usar el equipo compruebe siempre que no haya conexiones sueltas
- Cierre siempre primero el cilindro de oxígeno y luego el cilindro de combustible en caso de pérdida vaya a un área bien ventilada, busque la pérdida en el equipo e implemente medidas correctivas apropiadas
- Asegúrese siempre de que todas las manijas del kit estén cerradas antes de la conexión cuando lo esté instalando
- Trabaje siempre en un lugar limpio, alejado de los materiales combustibles o engrasados
- Advertencia de .65 para residentes de California: El Estado de California posee información que indica que el humo producido por el uso de este producto puede exponer al operador a productos químicos que causan cáncer. Obtenga más información en www.P65Warnings.ca.gov

INFORMACIÓN DE SEGURIDAD

Prevención de peligros

- Protéjase siempre de las sustancias inflamables, quemaduras, fundentes, metales de aportación, gases y humos.
- No use nunca oxígeno o gas combustible para soplar sobre el trabajo, el equipo o la ropa. El oxígeno puro fomenta la combustión, y es un gas inflamable.
- Mantenga fuera del alcance de los niños
- Tenga presentes las mangueras de soldar. No permita que las mangueras de soldar toquen la llama de la antorcha, las chispas o la superficie caliente. Las mangueras de soldar son un peligro de tropiezo.
- No suelde, corte o aplique calor sobre un envase que contuvo líquidos o vapores tóxicos o combustibles.
- No suelde, corte o aplique calor en áreas que contienen vapores combustibles, líquidos inflamables o polvo explosivo.
- No suelde, corte o aplique calor sobre envases cerrados, ya que podrían estallar si se los calienta.
- Cumpla estrictamente con todas las reglas gubernamentales y de seguros relacionadas con el almacenamiento de los cilindros de oxígeno y GLP.
- Cumpla siempre las leyes federales, estatales y municipales, y manténgase al día con respecto a los reglamentos, prácticas y normas de la industria.
- Sea cauteloso al usar la antorcha cerca de tuberías y ventilaciones ya que puede haber succión desde éstas.
- Sepa siempre qué hay o qué hubo dentro de la pieza en la que está trabajando
- Desconecte siempre el equipo de la fuente de combustible y cierre las válvulas después de cada uso.
- Los operarios deben retirar todo alimento (incluso el café, las gaseosas y otras bebidas) del área de trabajo donde se manejen metales de aportación para soldadura dura, aleaciones de soldadura y fundentes.
- Evite el contacto ocasional entre las manos, el rostro, la nariz o la boca cuando esté manejando metales de aportación, soldadura, fundentes o materiales base.
- Consulte las hojas de datos de seguridad para los fundentes de soldadura dura y los metales de aportación antes de usar dichas sustancias.
- Los operarios deben eliminar todas las soluciones de limpieza de conformidad con los reglamentos ambientales y procedimientos corporativos.

Equipo de protección personal

- El personal incluye los trabajadores y sus supervisores inmediatos. Remítase a las normas/los reglamentos locales apropiados sobre ropa y equipo de protección.
- Ubique el equipo de soldadura, las máquinas, cables y otros aparatos de forma que no constituyan un peligro para el personal.
- Instale carteles para señalar las áreas de soldadura e indicar que es necesario usar protección para los ojos y otros dispositivos de protección aplicables.
- La protección para los ojos y el rostro debe cumplir con la norma ANSI Z87.1, "Dispositivos personales de protección ocular y facial ocupacionales y educativos". Las personas que tengan problemas de visión especiales deberán consultar a su médico y solicitar información específica sobre equipo de protección.
- La ropa apropiada de protección para cualquier operación de soldadura y corte dependerá del tamaño, naturaleza y lugar del trabajo que se deba realizar. La ropa deberá estar limpia, ya que el aceite y la grasa pueden reducir sus propiedades protectoras.
- Los operarios deberán usar protección apropiada para los ojos, el rostro y el cuerpo cuando estén limpiando equipos con solventes, incluso con agua corriente.
- Use guantes para prevenir las lesiones causadas por residuos ácidos o cáusticos generados en el agente de limpieza así como la posible ingestión de metales que se desprendan de las uniones y del material base.
- Se recomienda el uso de guantes de cuero, goma u otros materiales apropiados, forrados con materiales aislantes para proteger las áreas expuestas a energía radiante elevada.

Ventilación

- Deberá haber ventilación adecuada para todas las operaciones de soldadura, corte, soldadura dura y otras operaciones afines.
- La ventilación adecuada debe ser suficiente para mantener la exposición del personal a las concentraciones peligrosas de contaminantes aéreos por debajo de los límites permisibles especificados por las autoridades correspondientes. Use equipo de protección respiratoria cuando no sea práctico tener ventilación adecuada.
- Obtenga siempre las Hojas de datos de seguridad de los materiales afectados cuando esté soldando o cortando.
- Algunos fundentes y metales que están revestidos con sustancias como cadmio o níquel pueden ser muy tóxicos.
- La ventilación en los espacios confinados debe ser suficiente para asegurar una cantidad adecuada de oxígeno para mantener la vida, prevenir la acumulación de asfixiantes o de mezclas inflamables o explosivas, evitar las atmósferas con exceso de oxígeno y mantener los contaminantes aéreos en las atmósferas donde se respira por debajo de los límites permisibles.
- Los operarios deben tomar precauciones para evitar respirar los humos directamente.
- Si la ventilación natural no es suficiente para mantener los contaminantes por debajo de los límites permisibles citados en la reglamentación municipal, se deberá usar ventilación mecánica o un respirador.
- Evite utilizar el equipo en salas que cuenten con sistemas de rocío para incendios a menos que haya suficiente ventilación para mantener el área fría. La ventilación insuficiente puede provocar la activación falsa de los sistemas de lucha contra incendios.

Prevención de incendios

- No suelde ni corte a menos que la atmósfera sea no inflamable y que los combustibles se hayan alejado o protegido de los peligros de incendio.
- Si no fuera práctico mover el trabajo a otro recinto, será necesario desplazar todos los peligros amovibles cercanos a un lugar seguro.
- Si no fuera posible mover el trabajo y los peligros de incendio, se deberán usar salvaguardas para proteger del calor, las chispas y la escoria a los peligros de incendio no amovibles y al personal cercano.
- Deberá haber equipo para extinguir incendios apropiado y listo para usar donde se esté soldando y cortando.
- Inspecciónelo regularmente para asegurarse de que esté funcionando bien. Sepa cómo usar el extinguidor de incendios.
- Cuando finalice el trabajo, inspeccione el área para ver si hay un posible incendio o material en fuego remanente.
- Siempre compruebe su área de trabajo para ver si hay puntos calientes que podrían causar un incendio. Enfríe todas las áreas dudosas y no deje el área hasta estar seguro de que no existe peligro de incendio.
- Las personas asignadas a detectar incendios causados por la soldadura (denominadas Vigías contra incendios) deberán estar en su puesto cada vez que haya materiales combustibles a menos de 10,7 metros (35 pies) de la operación de soldadura.
- Asegúrese siempre de haber extinguido completamente la llama de la antorcha después de apagar el equipo. Si se produjera una llamarada o retroceso de la llama, siga los procedimientos siguientes en orden:
 1. Cierre la válvula de paso de oxígeno de la antorcha (girando el tornillo EN EL SENTIDO DE LAS GUJAS DEL RELOJ)
 2. Cierre la válvula de paso de gas de la antorcha (girando el tornillo EN EL SENTIDO DE LAS AGUJAS DEL RELOJ)
 3. Cierre la válvula reguladora de oxígeno del cilindro (girando el tornillo CONTRA LAS AGUJAS DEL RELOJ)
 4. Cierre la válvula reguladora de gas del cilindro (girando el tornillo CONTRA LAS AGUJAS DEL RELOJ)
 5. No utilice equipo de oxi-gas hasta haber investigado a fondo la causa exacta de la llamarada o del retroceso de la llama.
 6. Tome medidas correctivas para eliminar la causa de la llamarada o del retroceso de la llama.
- Será necesario que un representante designado de la administración inspeccione y dé su autorización antes de comenzar a soldar o cortar en un lugar no designado para estos fines.

Supervisión

Esta sección se refiere al uso comercial del producto. Administración se refiere a las personas responsables por las operaciones de soldadura, mientras que los supervisores son las personas responsables por supervisar la soldadura.

Responsabilidades

Tanto los operarios como la administración son responsables por la seguridad de la soldadura y el corte.

Formación

Los soldadores y sus supervisores deben contar con la formación necesaria en la operación segura de su equipo y los procedimientos de emergencia. La administración es responsable por esto.

Los trabajadores deben comprender los peligros eventuales y las precauciones de seguridad antes de comenzar el trabajo. La administración es responsable por esto.

Contratistas

Los contratistas seleccionados para fines de soldadura deben ser personal capacitado y cualificado que conozca los riesgos involucrados. La administración es responsable por esto.

Los contratistas deben ser notificados de toda condición peligrosa (p.ej. materiales inflamables, falta de ventilación) de los cuales tal vez no sean conscientes. La administración es responsable por esto.

Los supervisores deben asegurarse de que los materiales inflamables o combustibles no se vean expuestos a la ignición; para ello tomarán una o más de las medidas siguientes:

- (1) Cambiar de lugar el trabajo a un sitio sin combustibles y alejado de las áreas peligrosas.
- (2) Mover los combustibles a una distancia segura del trabajo o resguardarlos de forma apropiada contra la ignición si el trabajo no se puede desplazar fácilmente.
- (3) Programar la soldadura y el corte de modo que dichos materiales no estén expuestos durante las operaciones de soldadura y corte.

Operarios

Los operarios deben comprender el peligro de la operación que se ha de realizar, y los procedimientos utilizados para controlar las condiciones peligrosas.

Los operarios deben manejar el equipo de forma segura según este manual y usarlo de modo que no ponga en peligro la vida y la propiedad.

Instruya a los operadores de modo que comprendan los peligros involucrados en la soldadura.

Los operarios no deben usar este equipo a menos de estar seguros de cómo utilizarlo en condiciones de seguridad.

Los operadores nunca deben trabajar solos en condiciones peligrosas, como el potencial de peligro de descarga eléctrica o cuando no hay suficiente ventilación.

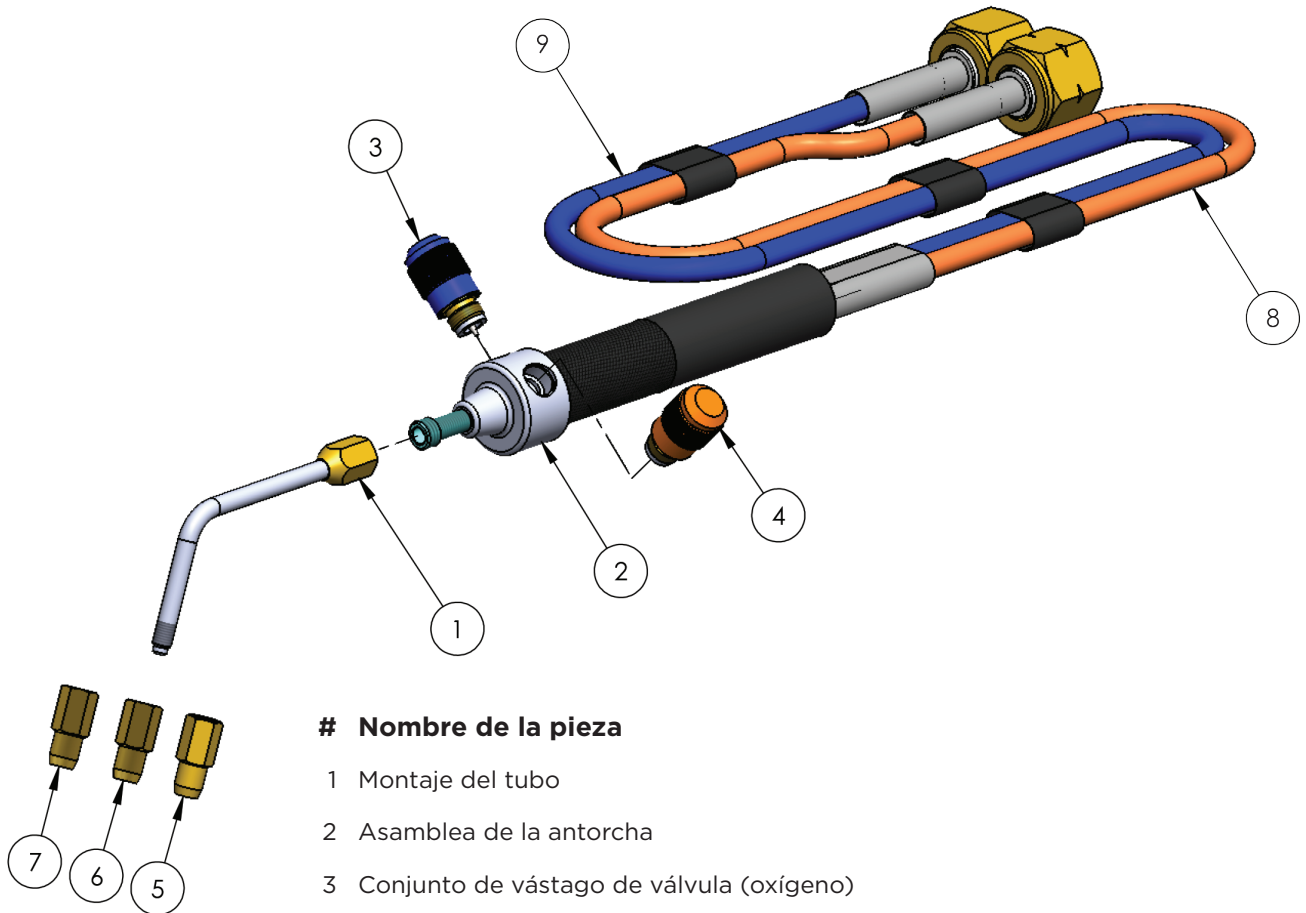
Directrices de seguridad

Estas directrices de seguridad contienen información vital para el uso seguro; léalas y compréndalas antes de usar el Soplete de precisión. Si no lo hiciera se podrían producir daños o lesiones catastróficas. Estas directrices no abarcan todos los peligros posibles. Se recomienda el uso del sentido común.

Encontrará directrices de seguridad, instrucciones de uso y normas para el equipo de soldadura oxi-gas y de corte en las fuentes siguientes:

- (1) Publicación Z49.1 de ANSI, Instituto Nacional Americano de Normalización
- (2) API, Instituto Americano del Petróleo; ASTM, Asociación Americana de Pruebas y Materiales
- (3) AWS, Asociación Americana de Soldadura
- (4) CGA, Asociación de Gas Comprimido
- (5) CSA, Asociación Canadiense de Normalización
- (6) DOT, Departamento de Transporte de EE.UU.
- (7) NFPA, Asociación Nacional de Prevención de Incendios
- (8) OSHA, Administración de Seguridad e Higiene Ocupacionales

VISTA EXPLOSIONADA Y LISTA DE COMPONENTES



Nombre de la pieza

- 1 Montaje del tubo
- 2 Asamblea de la antorcha
- 3 Conjunto de vástago de válvula (oxígeno)
- 4 Conjunto de vástago de válvula (gas combustible)
- 5 Punta de soldadura #1
- 6 Punta de soldadura #2
- 7 Punta de soldadura #3
- 8 Manguera de gas combustible naranja (6.5ft longitud, 3/32" ID, CGA21)
- 9 Manguera de oxígeno azul (6.5ft longitud, 3/32" ID, CGA20)

Piezas de repuesto

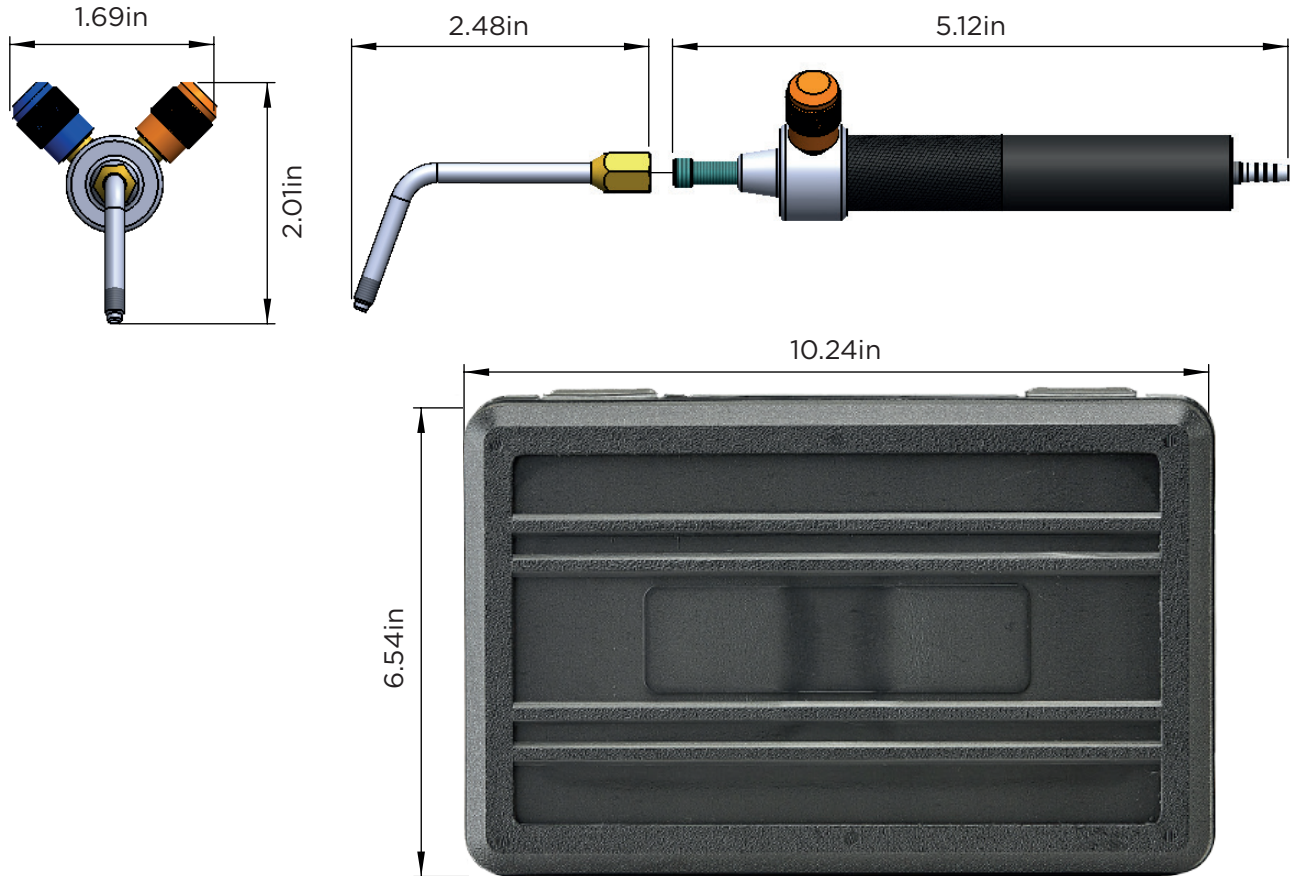
Las piezas 1, 5, 6 y 7 están disponibles como kit de piezas de repuesto.

Aplicaciones Típicas

Soldadura y soldadura fuerte de cobre.
Soldadura y soldadura fuerte de aluminio.
Soldadura y soldadura fuerte de cobre y aluminio.
Climatización y fontanería.

DATOS TÉCNICOS

Dimensiones del producto



Datos técnicos

El Soplete de precisión 1811161-1 utiliza un cilindro de oxígeno (UN ISO 11118-1 cilindros fabricados de acuerdo con 49 CFR 178.35, 178.69, 178.70, 178.71.) y un cilindro de MAP//Pro (que cumple con DOT39). Recomendamos el uso de cilindros de oxígeno Ambro (N/P 1811323) y cilindros MAP//Pro (N/P 1811120).

Boquilla	Rango de soldadura (pulgadas)	Presión de oxígeno	Presión de gas combustible
#1	0.0591 - 0.0787	29 PSI	4.5 - 7.2 PSI
#2	0.0787 - 0.0984	29 PSI	4.5 - 7.2 PSI
#3	0.0984 - 0.118	29 PSI	4.5 - 7.2 PSI

INSTRUCCIONES DE OPERACIÓN

Diseñado para su uso con Ambro Controls Oxysset.
Estas instrucciones detallan cómo operar la antorcha de precisión cuando se conecta a la Oxysset.



1. Asegúrese de que los mandos de ajuste de los reguladores de presión (10 y 11) están cerrados girando los mandos de los reguladores EN SENTIDO ANTIHORARIO.
2. Asegúrese de que los mandos de ajuste de la antorcha (3 y 4) están cerrados girando los mandos de la antorcha EN SENTIDO HORARIO.
3. Atornille los reguladores de presión de oxígeno y gas combustible a sus correspondientes botellas, asegurándose de que no haya fugas. Las roscas de los reguladores de presión están diversificadas para evitar errores al acoplar las botellas a su regulador de presión correspondiente.
4. Conecte las mangueras entre los reguladores correspondientes.
NOTA: Sólo ajuste las conexiones de manguera a 5-6 Nm. La sobrecarga dañará la conexión.
5. Apriete todos los racores y realice la prueba de estanqueidad.

ADVERTENCIAS:

- Use el Soplete de precisión 1811161-1 con cilindros desechables de oxígeno y MAP// Pro únicamente. Estos cilindros no se pueden volver a llenar. El uso de otros cilindros puede ser peligroso. No conecte los cilindros antes de leer todas las instrucciones pertinentes.
- Conecte o desconecte los cilindros en un área bien ventilada, de preferencia al aire libre, y lejos de otras personas y/o animales. Manténgalos alejados de materiales o sustancias inflamables y de las fuentes de calor como llamas, cigarrillos encendidos, dispositivos eléctricos, etc.
- El peso de los cilindros puede ser engañoso, por lo tanto es importante confirmar que el cilindro está vacío antes de remplazarlo. Para proteger el medio ambiente, elimine los cilindros en un sitio seguro, de conformidad con los reglamentos municipales y de preferencia en un centro de reciclaje.

ADVERTENCIA:

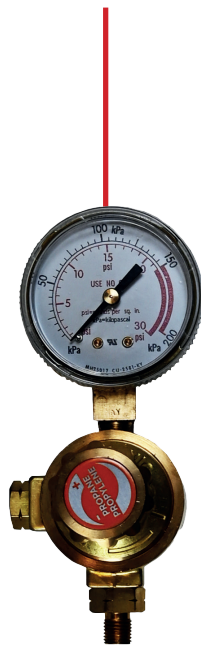
- a) Recomendamos preestablecer la presión de salida de los reguladores a un mínimo de 4,5 psi para el regulador de presión de gas combustible; y 29 psi para el regulador de presión de oxígeno.
- b) La presión máxima de trabajo NUNCA debe exceder 7.2 psi para el regulador de presión de gas combustible; y 43 psi para regulador de presión de oxígeno.

** La regulación de presión real depende de la aplicación y la experiencia del usuario, consulte al personal cualificado si es incierto antes de la operación.

Encendido

1. Para comenzar, asegúrese de que las válvulas de la antorcha (3y4) estén cerradas girando los tornillos de la antorcha EN EL SENTIDO DE LAS AGUJAS DEL RELOJ.
2. Luego abra lentamente los tornillos de los regulador de presión (10y11) girándolos EN EL SENTIDO DE LAS AGUJAS DEL RELOJ para conectar los cilindros.

Regulador de presión de gas combustible



Regulador de presión de oxígeno



3. Abra lentamente el tornillo de regulación del gas combustible de la antorcha (4) girando el tornillo CONTRA LAS AGUJAS DEL RELOJ, un cuarto de vuelta aproximadamente, permitiendo que el gas fluya libremente por un par de segundos para dejar salir el aire que haya en el sistema.

Válvula de paso de oxígeno



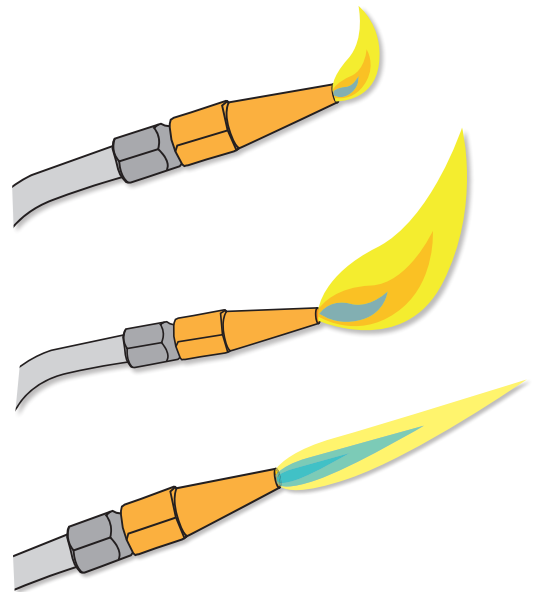
Válvula de paso de gas

Encienda la antorcha

Encienda con un chispero (4), prestando atención a que la llama se mantenga pegada a la boquilla de soldar hasta lograr una llama como se ilustra. Si la llama se separa de la boquilla y se apaga, cierre un poco el tornillo del gas para reducir el suministro de éste.

Ajuste la llama con el control hasta que desaparezca el humo.

Gire el tornillo de regulación de oxígeno (8) **CONTRA LAS AGUJAS DEL RELOJ** y aumente el suministro hasta que se defina claramente el cono interno blanco (dardo).



ADVERTENCIA: LLAMARADA Y RETROCESO DE LA LLAMA

Cuando la llama vuelve hacia atrás en la antorcha se produce una llamarada. Esto puede causar una explosión que podría provocar lesiones graves o daños a la propiedad. La llamarada puede ser causada por el uso de presiones incorrectas del regulador, un equilibrio incorrecto del flujo de gas/oxígeno o si el combustible se enciende prematuramente.

El retroceso de la llama ocurre durante el flujo de retorno de los gases en la boquilla de la antorcha, y lleva a que la llama se apague. Esto suele suceder al tocar la boquilla de la antorcha contra la pieza de trabajo.

Si se produce una llamarada o el retroceso de la llama, proceda **INMEDIATAMENTE** como sigue:

1. Cierre la válvula de paso de oxígeno de la antorcha (gire el tornillo **EN EL SENTIDO DE LAS AGUJAS DEL RELOJ**)
2. Cierre la válvula de paso de gas de la antorcha (gire el tornillo **EN EL SENTIDO DE LAS AGUJAS DEL RELOJ**)
3. Cierre la válvula del regulador de oxígeno (gire el tornillo **CONTRA LAS AGUJAS DEL RELOJ**)
4. Cierre la válvula del regulador de gas (gire el tornillo **CONTRA LAS AGUJAS DEL RELOJ**)

NO utilice el Soplete de precisión hasta haber resuelto completamente la causa de la llamarada o del retroceso de la llama.

Apagado

Realice los pasos siguientes en orden.

1. Cierre la válvula de paso de oxígeno de la antorcha girando el tornillo EN EL SENTIDO DE LAS AGUJAS DEL RELOJ
2. Cierre la válvula de paso de gas de la antorcha girando el tornillo EN EL SENTIDO DE LAS AGUJAS DEL RELOJ
3. Cierre la válvula del regulador de oxígeno girando el tornillo CONTRA LAS AGUJAS DEL RELOJ
4. Cierre la válvula del regulador de gas girando el tornillo CONTRA LAS AGUJAS DEL RELOJ
5. Purgue el sistema de todo gas remanente.

PRECAUCIÓN: PURGAR

Purgar un sistema consiste en descargar todo el residuo de gas combustible y oxígeno que quede en la antorcha, las mangueras y los reguladores después del uso.

NUNCA purgue el sistema cerca de una fuente de ignición.

ADVERTENCIA:

- No use en espacios confinados.
- Utilice el Soplete de precisión 1811161-1 en un área bien ventilada, alejada de todo material o sustancia inflamable.
- Está estrictamente prohibido engrasar o aceitar parte alguna de este equipo.
- No deje el Soplete de precisión 1811161-1 desatendido cuando esté encendido.
- No apoye la antorcha encendida.
- Trabaje sobre una base no inflamable.
- Durante la soldadura, use antiparras y guantes de soldadura.
- Use ropa apropiada para el tipo de trabajo que deba realizar y no use ropa con manchas de grasa.
- No inhale los humos de soldadura o soldadura dura.
- Remplace inmediatamente las mangueras (8 y 9) en caso de abrasiones, deterioro u otras imperfecciones.
- Evite la torsión y el sobrecalentamiento de las mangueras (8 y 9).
- Durante el uso, las partes del Soplete de precisión 1811161-1 pueden alcanzar temperaturas altas; permita que se enfríe completamente antes de guardarlo.
- Es peligroso usar equipo dañado o que no funciona correctamente.
- No manipule ni modifique componente alguno del kit.
- Si se produce una llamarada en el encendido, puede deberse a presiones incorrectas en los reguladores o a la aplicación de la llama antes de que el gas combustible esté fluyendo de forma apropiada o un equilibrio incorrecto del flujo de combustible/oxígeno.
- El montaje y el ajuste realizados en fábrica no se modificarán. Puede ser peligroso intentar modificar el ajuste o la construcción del aparato, desmontar algunas piezas o utilizar componentes distintos a los recomendados.
- Cierre los grifos del aparato antes de la conexión
- No fume al cambiar de recipiente (cilindros)
- No utilice grasa o aceite con piezas en contacto con oxígeno.
- Tenga cuidado de no calentar los recipientes (cilindros) o quemar la manguera
- Trabajar en un lugar limpio, lejos de combustible o material engrasado

MANTENIMIENTO

El mantenimiento sólo debe ser realizado por profesionales capacitados. En caso de una falla que no pueda repararse, devuelva su antorcha de precisión al punto de compra.

Comprobación del sello

Si su electrodoméstico pierde gas o comienza a oler a gas, llévelo al exterior inmediatamente. Revise los sellos (vea 5.2) en un área bien ventilada lejos de fuentes de ignición.

Para verificar el sello de la antorcha de precisión, use agua jabonosa o un producto detector de fugas, como LA-CO Visu Glow. Después de aplicar el detector a un área sospechosa de fuga, inspeccione la formación de burbujas o espuma causada por los gases que se escapan.

Limpieza de boquillas

Desenrosque la boquilla y límpiela soplando aire en el orificio. Vuelva a enroscar firmemente la boquilla en el soplete y, una vez apretada, verifique el sello.

Almacenamiento

Si el Soplete de precisión no está en uso, desconecte todos los componentes y permita el drenaje de todo el sistema. Esto evitará la descarga de los cilindros causada por pérdidas imperceptibles.

Coloque el Soplete de precisión en su paquete original o en otro envase protector y guárdelo en un lugar fresco, seco y bien ventilado.

- No guarde ni transporte el Soplete de precisión con los cilindros conectados
- Asegúrese de que la unidad se mantenga vertical
- Protéjalo de la luz del sol
- No lo exponga a temperaturas mayores de 122°F (50°C)
- Manténgalo fuera del alcance de los niños

ADVERTENCIA:

- **Realice la limpieza sólo cuando la boquilla esté fría**
- **No use agujas ni alfileres para limpiar la boquilla, ya que podría dañarla, con lo cual sería peligroso usar el Soplete de precisión**
- **Si el bloqueo no se puede eliminar, NO use la boquilla**
- **No use nunca oxígeno o gas combustible para soplar sobre el trabajo, el equipo o la ropa**

NOTA: Algunos de los datos de las ilustraciones pueden ser diferentes de los del equipo suministrado. Ambro Controls Pty Ltd se reserva el derecho de modificar el producto sin previo aviso.

RESOLUCIÓN DE PROBLEMAS

Problema	Posible causa	Solución
Olor a gas/sonido de silbido o siseo	1. Conexión suelta	1. Vuelva a ajustar las conexiones y haga una Prueba de detección de pérdidas en las conexiones usando agua jabonosa u otro producto detector de pérdidas.
No se enciende la antorcha	1. Cilindro vacío 2. Válvula de antorcha cerrada 3. Presión de salida demasiado baja 4. Bloqueo en las líneas de gas 5. Componente defectuoso	1. Remplace el cilindro 2. Consulte el manual de instrucciones y siga el procedimiento para ajuste de válvulas de antorcha 3. Consulte el manual de instrucciones y ajuste las válvulas del regulador según las presiones seleccionadas 4. Cierre todas las válvulas, desconecte las líneas y compruebe que no haya bloqueos en la manguera y la antorcha 5. Confirme todas las condiciones indicadas arriba y contacte con el representante de atención al cliente
Llama demasiado pequeña o inconstante	1. Cilindro vacío 2. Boquilla sucia 3. Caudal demasiado bajo 4. Selección de presión demasiado baja	1. Remplace el cilindro 2. Limpie o remplace la boquilla 3. Abra más las válvulas de control de la antorcha según el procedimiento del manual de instrucciones 4. Compruebe las medidas y el ajuste según el procedimiento del manual de instrucciones
Llama demasiado grande	1. Caudal demasiado alto 2. Presión de salida demasiado alta	1. Cierre más las válvulas de control de la antorcha según el procedimiento del manual de instrucciones 2. Reduzca la presión en el regulador ajustando el tornillo según el procedimiento del manual de instrucciones
No se puede ajustar la parte externa de la llama	1. Presión incorrecta	1. Consulte el manual de instrucciones y compruebe que la presión esté dentro de las selecciones recomendadas
Ruido de estallido (petardeo)	1. La boquilla de la antorcha está demasiado cerca de la superficie de soldadura 2. Caudal insuficiente de gas combustible 3. Caudal excesivo de oxígeno 4. Paso repentino de oxígeno	1. Aleje la boquilla de la antorcha del área de trabajo 2. Desequilibrio del caudal de gas/oxígeno. Consulte el procedimiento de encendido y ajuste de la llama en el manual de instrucciones 3. Desequilibrio del caudal de gas/oxígeno. Consulte el procedimiento de encendido y ajuste de la llama en el manual de instrucciones 4. Después de encender la antorcha, gire paulatinamente la válvula de oxígeno; no abra la válvula de golpe. Compruebe la presión del regulador de oxígeno y reajústela según el procedimiento del manual de instrucciones
El material de aportación no se adhiere o no fluye a la junta de metal	1. Aplicación deficiente de calor 2. Preparación deficiente de la pieza de trabajo 3. No está usando fundente o es el incorrecto 4. Material de aportación incorrecto para la pieza de trabajo	1. Compruebe que esté usando el tamaño de boquilla correcto con una llama adecuada para el tamaño de la pieza de trabajo. Obtenga más información en el manual de instrucciones. 2. Compruebe que la pieza de trabajo esté absolutamente limpia: quite la grasa y toda oxidación de las superficies u otros contaminantes 3. Compruebe que se trata del tipo de fundente correcto para el material de la pieza de trabajo. Siga las recomendaciones del fabricante para la aplicación del fundente 4. Compruebe que el material de aportación sea compatible con el fundente y la pieza de trabajo

GARANTÍA

1 PERIODO DE GARANTÍA

Ambro Controls garantiza que todos los productos fabricados y/o suministrados por Ambro bajo la marca "Ambro" estarán libres de cualquier defecto causado por materiales y/o mano de obra defectuosos ("Garantía") durante los periodos que se indican a continuación a partir de la fecha de compra/factura de los siguientes productos::

Precision Torch | 1 Año

Ambro desea hacer hincapié en la importancia de leer toda la documentación e instrucciones proporcionadas antes de utilizar cualquier producto Ambro. El incumplimiento de las instrucciones, puede resultar en la pérdida o daños a las existencias valiosas a través de un funcionamiento incorrecto.

2 CONDICIONES DE GARANTÍA

- 2.1 Sujeto a las siguientes condiciones, si se detecta un defecto o fallo en las piezas o en la mano de obra durante el Periodo de Garantía, Ambro Controls sustituirá o reparará los elementos arriba indicados o parte de ellos (a su elección) sin cargo alguno para el Comprador.
- 2.2 Ambro Controls puede llevar a cabo cualquier reparación o designar a un reparador autorizado para que lo haga
- 2.3 El Comprador debe conservar la factura de compra original y presentarla a Ambro Controls en el momento de hacer una reclamación bajo esta Garantía.
- 2.4 El Comprador debe informar de cualquier posible fallo y/o defecto a Ambro Controls tan pronto como sea posible tras el descubrimiento del posible fallo y/o defecto.
- 2.5 La necesidad de reparación o sustitución de los productos arriba enumerados debe haber surgido exclusivamente de materiales y/o mano de obra defectuosos y/o defectuosos y no debe deberse a un uso indebido, negligencia, accidente, instalación incorrecta, modificación no autorizada, intento de reparación no autorizada, incumplimiento del manual de instrucciones del Producto Ambro y/o de las marcas en el Producto u otro abuso que, en opinión razonable de Ambro Controls, haya sido causado por el Comprador o cualquier agente o empleado del Comprador.
- 2.6 Ambro Controls no es responsable de ningún coste de transporte incurrido en relación con una investigación de garantía o servicio de los productos listados dentro del Periodo de Garantía.
- 2.7 Ambro Controls se reserva el derecho de facturar al Comprador cualquier investigación o servicio (incluyendo piezas y mano de obra) que no esté relacionado con un problema de garantía.
- 2.8 Ambro Controls no se hace responsable de ninguna pérdida o daño incidental o consecuente que surja de cualquier causa, incluyendo pero no limitándose a pérdidas o daños derivados del mal uso de los productos listados, negligencia, accidente, instalación incorrecta, modificación no autorizada, intento de reparación no autorizada, incumplimiento de las instrucciones del manual y/o marcas en el Producto y/o cualquier causa independiente del control humano que ocurra después de que el Producto haya salido del control de Ambro Controls.

3 RECLAMACIÓN EN VIRTUD DE LA GARANTÍA O DE LAS GARANTÍAS DEL CONSUMIDOR

- 3.1 Ante cualquier posible defecto y/o avería del Producto, póngase en contacto con Ambro Controls a través del teléfono 858 779 0377 o del correo electrónico ambro@bromic.com.
- 3.2 Cualquier producto que se reclame para su sustitución en garantía requiere un formulario de producto cumplimentado en el que se detallen los datos personales de contacto, el número de pieza del producto, el número de serie si lo tiene asignado, la fecha de compra, la fecha de instalación y una breve explicación del problema y de lo que se llevó a cabo para solucionarlo. Facilitarnos toda la información posible nos ayudará a encontrar la causa del problema.
- 3.3 Todas las consultas sobre la garantía y/o reclamaciones deberán dirigirse a Ambro Controls Head Office, Suite 100, 7595 Irvine Centre Drive, Irvine CA, 92618 Estados Unidos o llamando al teléfono 858 779 0377 o enviando un correo electrónico a ambro@bromic.com.
- 3.4 El producto objeto de reclamación se someterá a evaluación y se resolverá por escrito. Salvo en caso de uso indebido, negligencia, accidente, sustitución de piezas que no sean de Ambro, modificación, uso o instalación incorrectos.

4 GARANTÍAS AL CONSUMIDOR

- 4.1 Usted tiene derecho a la sustitución o al reembolso en caso de avería grave y a una indemnización por cualquier otra pérdida o daño razonablemente previsible. También tiene derecho a la reparación o sustitución de los productos si la calidad de los mismos no es aceptable y el fallo no es grave.

Fin de la versión en español



USA

7595 Irvine Center Drive | STE 100
Irvine California 92618 USA
Telephone: 858 779 0377
Email: ambro@bromic.com

Australia

10 Phiney Place
Ingleburn NSW 2565
Sydney AUSTRALIA
Telephone: +61 2 9426 5222